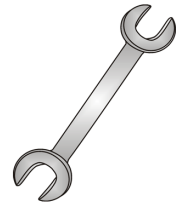




Tow-Trust Towbars

Important: Please read General Notes overleaf before fitting

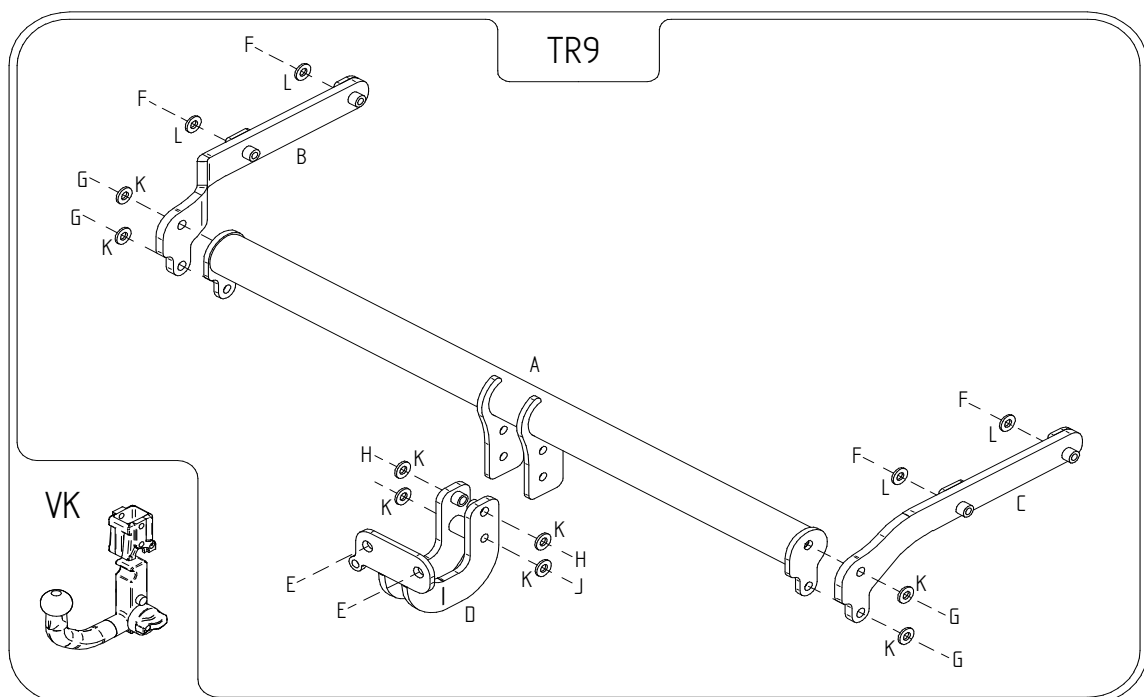


Issue 2

TR9 RENAULT GRAND SCENIC 2009>

Item	Qty	Description	Item	Qty	Description
A	1	Crossmember	E	2	M16 x 40 Bolts, Nuts & S/P Washers
B	1	L/H Side Arm	F	4	M10 x 40 Bolts Grade 10.9 & S/P Washers
C	1	R/H Side Arm	G	4	M12 x 50 Bolts, 2 Nuts & 4 S/P Washers
D	1	Extension Bar	H	2	M12 x 40 Bolts & S/P Washers
			J	1	M12 x 100 Bolt & Nyloc Nut
			K	8	12 x 25 Flat Washers
			L	4	10 x 25 Flat Washers

1. Remove the rear light clusters – one fixing inside boot behind light and two fixings on outside edge.
2. Remove rear bumper – four fixings along top edge, two fixings under each rear light cluster, two fixings around wheel arch liner and one tip fixing behind wheel arch liner and six fixings along lower edge. Disconnect wiring loom, then carefully pull each bumper tip outwards then rearward.
3. Remove rear crash beam – three fixings each side. (This is not refitted with Towbar assembly), keep foam pads and cut access holes in them ready for side arms.
4. Refit foam pads after cutting with original nuts. (It is advised to use a sealant around pads to prevent any water ingress).
5. Fold up rear seats and put into forward position.
6. Strip out boot of trim to gain access to Towbar mounting points.
7. Using item F with item L loosely bolt items B and C into each correct chassis member. (NOTE: on the near side bend or remove the metal tab at chassis opening, and remove the bungs and vent to help access to Towbar mounting points. Towbar mounting points may be covered in tape and foam).
8. Using item G with item K bolt item A between each side arm (items B & C).
9. Using item H with item K and item J with item K bolt item D to item A.
10. Fully tighten all nuts and bolts ensuring Towbar is rigid and secure.
11. Refit bungs and vent on the near side and refit rear bumper and rear light clusters.
12. Using item E bolt the ball bracket and wiring plate (not supplied in this kit) to item D and fully tighten.



Note:

1. Recommended Torque Setting for M12 Grade 10.9 -139 Nm. (For other Torque Settings see notes overleaf.)
2. Nose load limits and vehicle manufacturer's trailer / caravan weight limits must be observed.