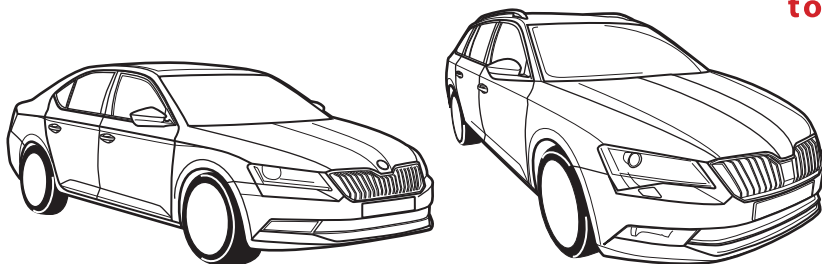


# Right Connections

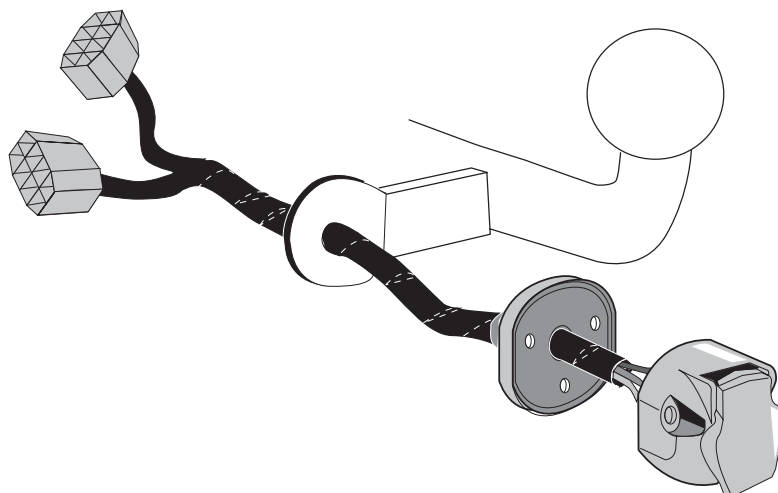
towbar wiring kits for the uk



**SKODA Superb III Saloon 06/2015 >>**  
**Superb III Estate 09/2015 >>**

**Part No: VW-190-07M**

## Electric wiring kit for towbars / 7-pin / 12N / 12 Volt / ISO 1724 Fitting instructions



### IMPORTANT!

This electric kit has to be installed by a professional workshop or a suitable qualified person.

The installation instructions must have been read and fully understood before the start of any installation. Please contact your wiring kit provider or the hotline shown in the footer should you need assistance!

Make sure the vehicle is approved/homologated by the manufacturer to tow a trailer!

Also please check that there is a definite compatibility between this vehicle and the electric kit!

Following the installation of the electric kit, the fitting instructions should be kept together with the vehicle service document and vehicle handbook. The fitting instructions contain important information relating to the use and function of the towing kit as well as for any diagnostic or activation process, that might have to be repeated in the future (e.g. after the performance of a vehicle software update).

All warranty claims will be forfeited if the electric kit or components contained therein are used incorrectly or modified. If a towing socket adaptor has been used to connect to the trailer or bike rack, this must be removed from the trailer socket once the trailer or bike rack has been disconnected.

If the trailer or bike rack is not equipped with a rear fog lamp, depending on the towing vehicle type, the correct function of the towing kit cannot be guaranteed. In such cases, a rear fog lamp should be retro fitted.

This towing electric kit will not be covered under warranty if any technical or electrical modifications or software updates have been performed by the vehicle manufacturer after the initial commissioning of the kit. That applies especially to modifications or updates which may cause malfunctions in the trailer socket or any other part of the trailer electrical equipment!

Depending on the type of trailer module used in this electric kit, diagnostic interrogation with the vehicle's electrical system may be limited or will not function. The error memory inside the trailer module may not be able to be accessed by vehicle manufacturers diagnostic system.

Error logs relating to the trailer electrical equipment, that may be generated in the vehicle manufacturers diagnostic system as a result of a test procedure, may be due to the incorrect installation of the towing electric kit or the false activation of the trailer module.

**We always recommend whenever possible, the following troubleshooting process:**

→ **An analysis of the vehicle's error memory and possibly clearing of all faults before the start of the installation!**

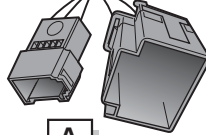
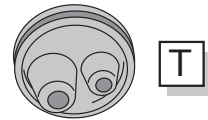
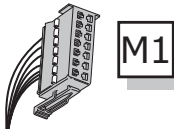
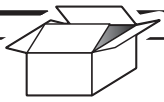
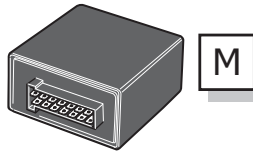
→ **Try disconnecting the trailer module from the towing harness and re-start the fault clearing process!**

→ **If in doubt, limit the time for troubleshooting to a max of 0,5 hours and call our Technical Support Team!**

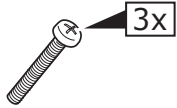
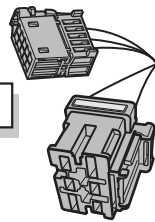
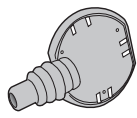
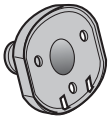
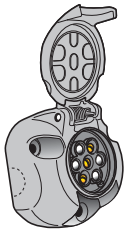
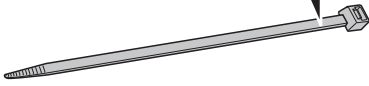
Please follow our instructions carefully and always test the towing electrics using a true lighting board or a specifically designed bulb tester. If an LED tester is used, ensure it is equipped with correct load resistors or malfunctions will occur!

This instruction is subject to changes and we reserve the right to make changes to design, colour etc.

All of the data and illustrations may not be an exact representation but the text contained in this instruction must be observed!



5x



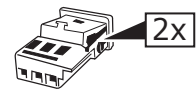
3x



3x



1x



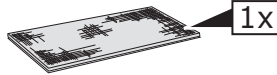
2x



3x



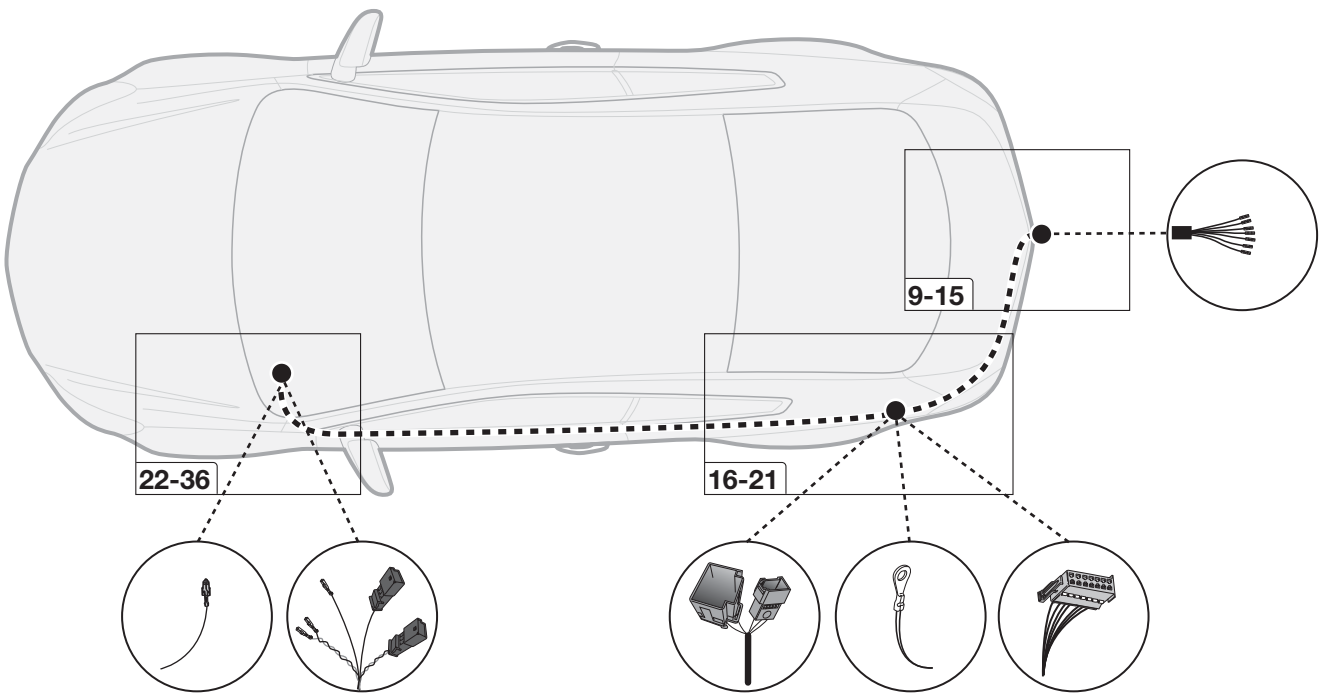
1x



1x



10x

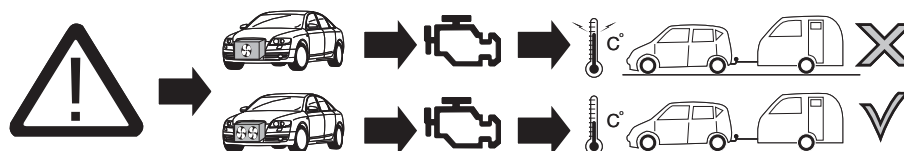
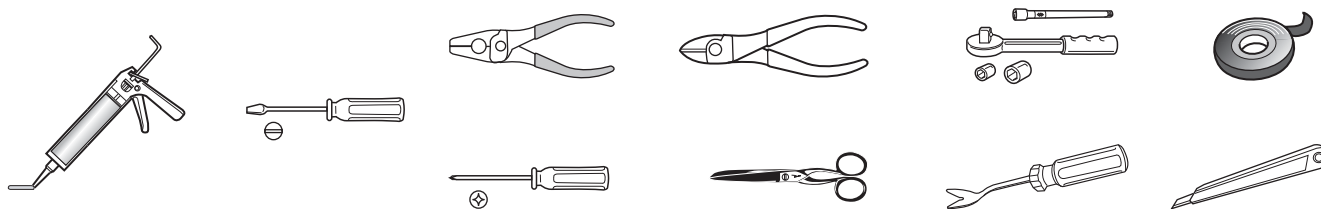


## SYMBOL EXPLANATION

	Left (58-L) respectively Right (58-R) tail light
54	Stop light (54) / high mounted, third stop light (54)
	Turn signal indicator left
	Turn signal indicator right
	Rear fog light(s)
	Reversing light(s)
	Permanent power supply / 13pin socket, chamber 9
	Charging wire for trailer battery / 13pin socket, chamber 10
	Trailer / trailer recognition
<b>B+ / 30</b>	Permanent current power supply
	Ground or Earth (31)
	Ground connection battery terminal lug
	Positive connection battery terminal lug

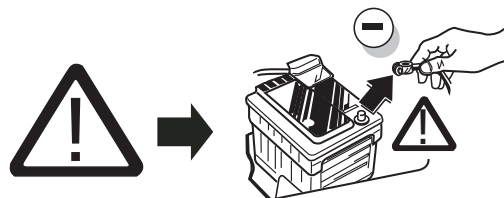
	Cigarette lighter / accessory socket
	Loudspeaker / buzzer
	Park Distance Control
	Switch / source of function
	Connect together
	Disconnect
	Look at / See further information
	Look carefully at selected area
	Present / Occupied / OK
	Not present / Not occupied / Not OK
	Acoustic indication
	Attention / important advice
	Fuse / fuse capacity 20 Ampère

## TOOLS



### ATTENTION!

The vehicle's cooling capacity may have to be increased when retrofitting a trailer coupling!  
You must observe the manufacturer's instructions!!



Note: It may be necessary to check if this vehicle has a stored radio code before disconnecting the battery!



### ATTENTION!

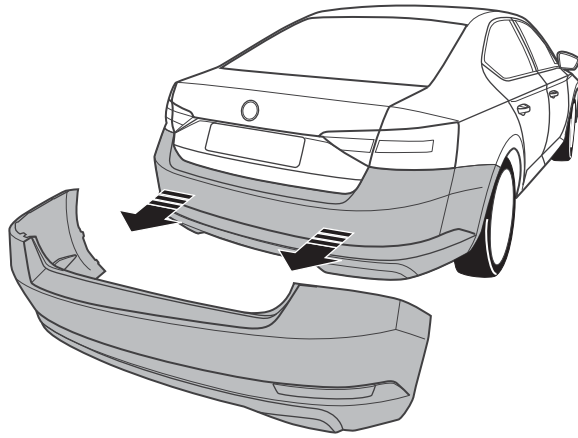
In order to avoid mal-functions and damage to the vehicle's electrical system the earth terminal **must be disconnected** from the vehicle's battery **before starting work!**

Both the trailer module and the vehicle's control unit for the electrical system can be damaged during work on the data bus connections if the battery is not disconnected!

Please pay attention to the manufacturer's instructions when disconnecting and reconnecting the vehicle's battery!

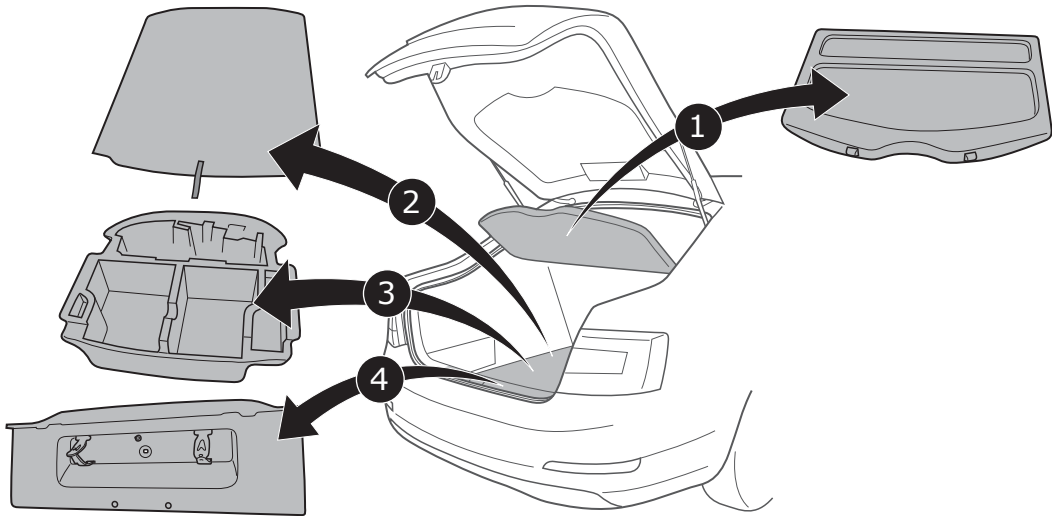
1

## Saloon



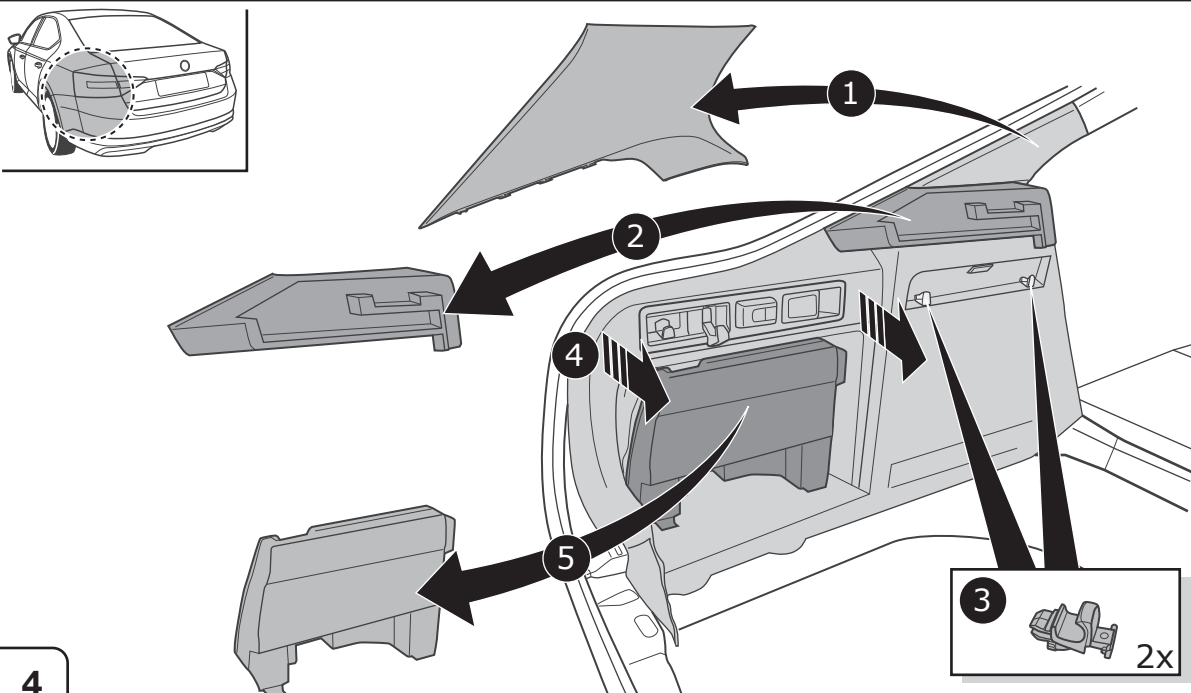
2

## Saloon



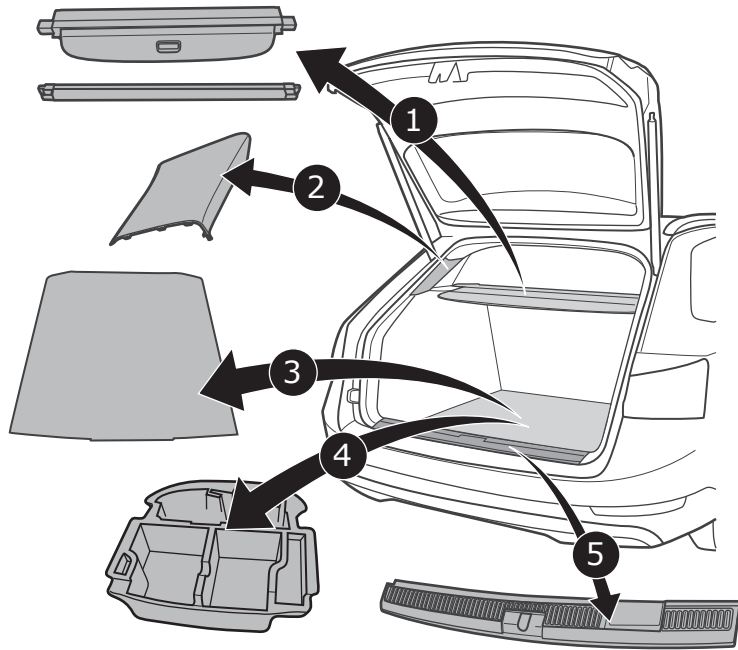
3

## Saloon



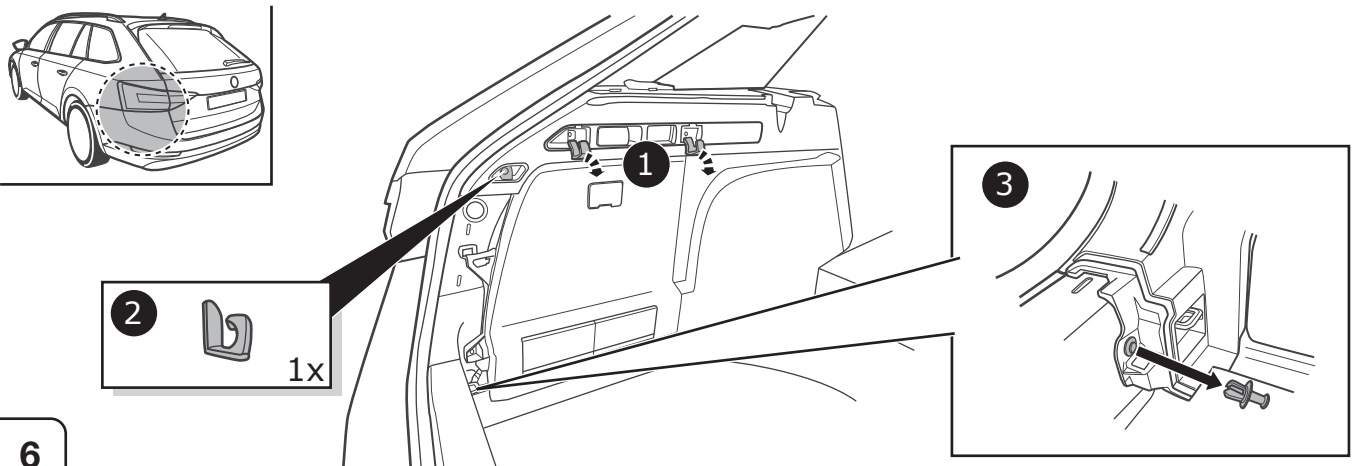
4

# Estate



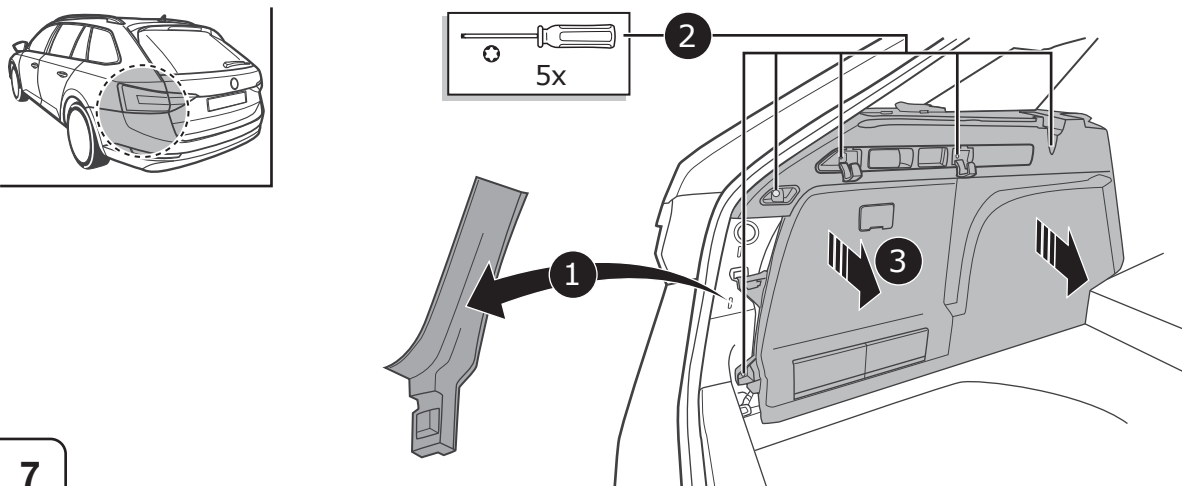
5

# Estate



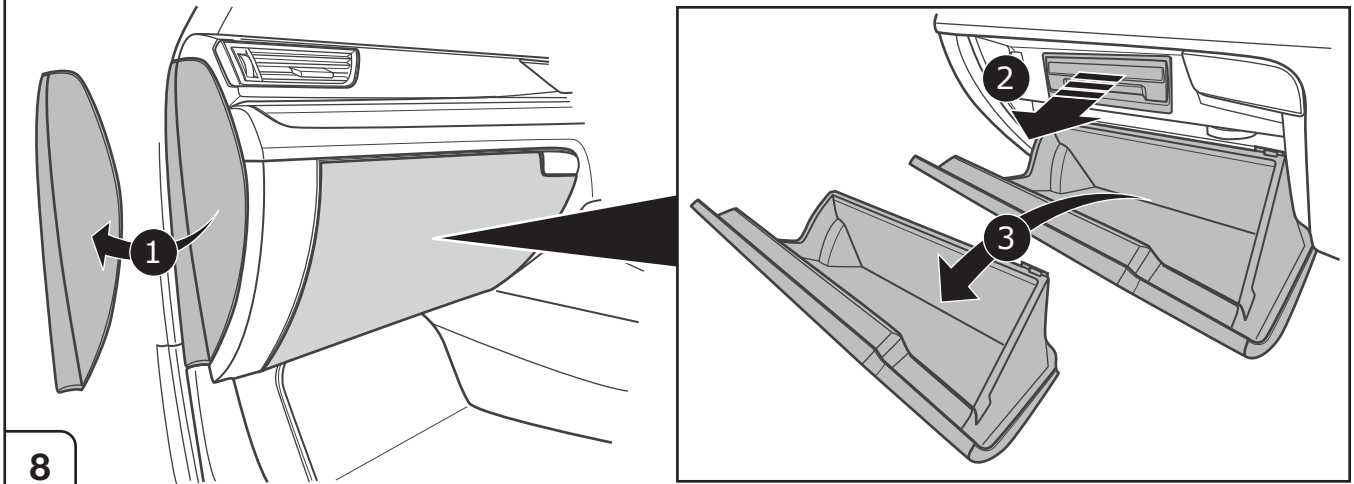
6

# Estate

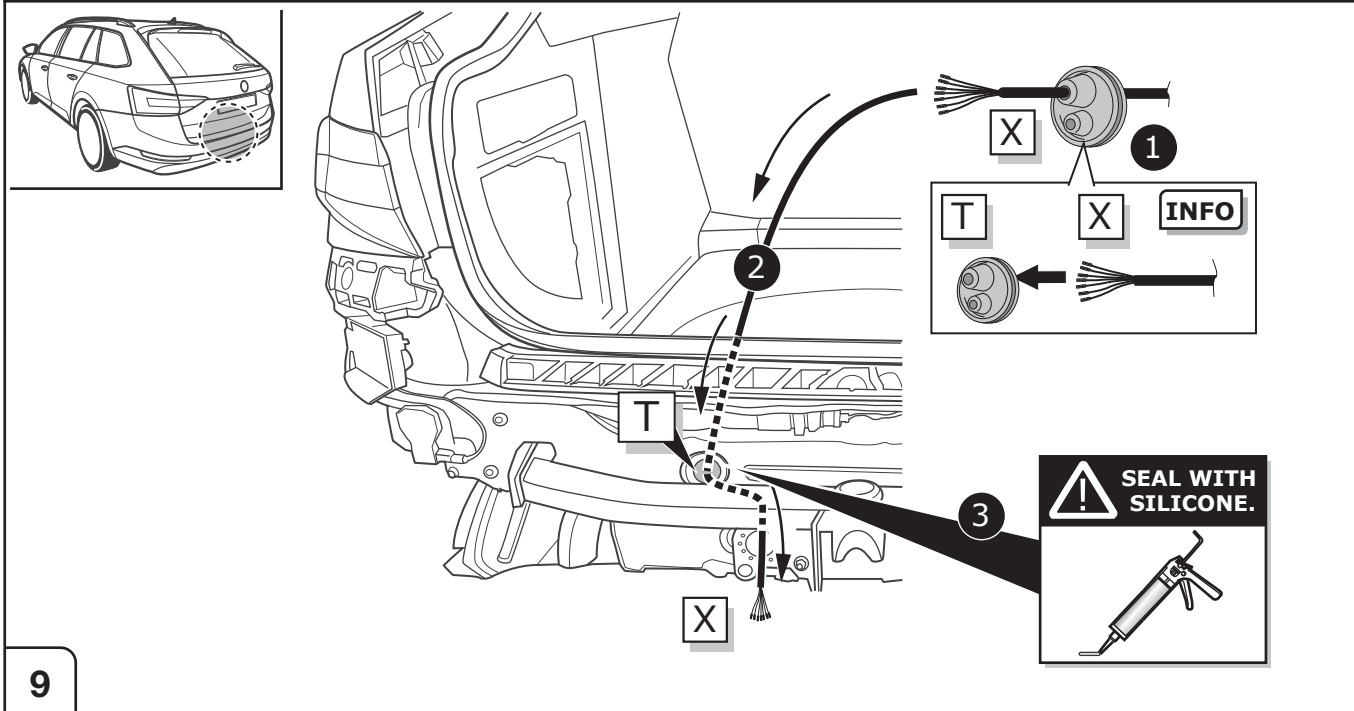


7

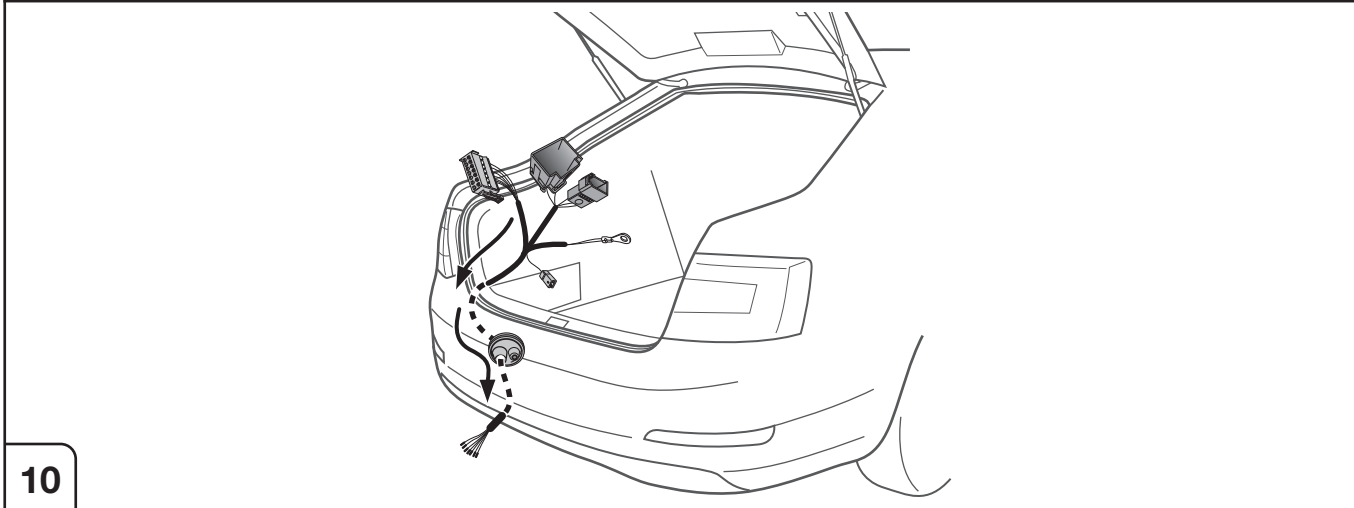
Saloon/ Estate



Saloon/ Estate



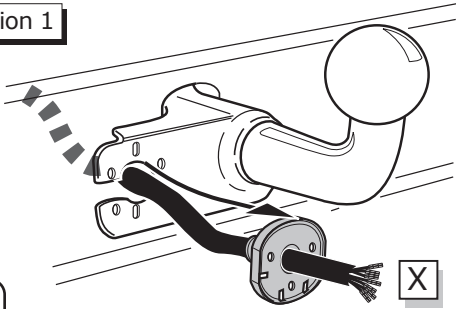
Saloon/ Estate





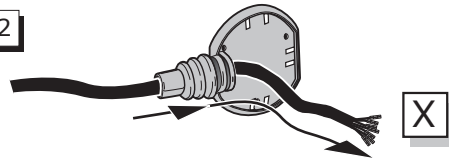
All Models

Option 1

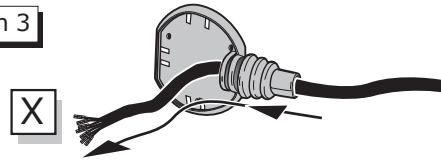


11

Option 2



Option 3



All Models

SOCKET CONNECTION

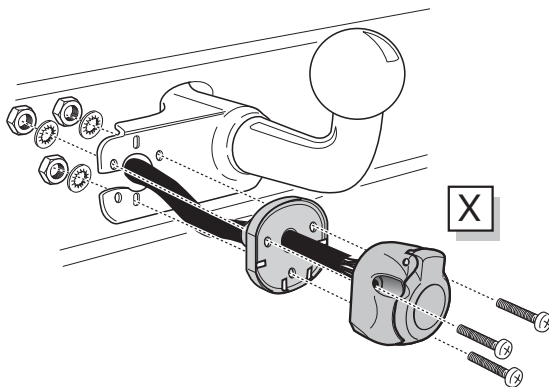


Page 25

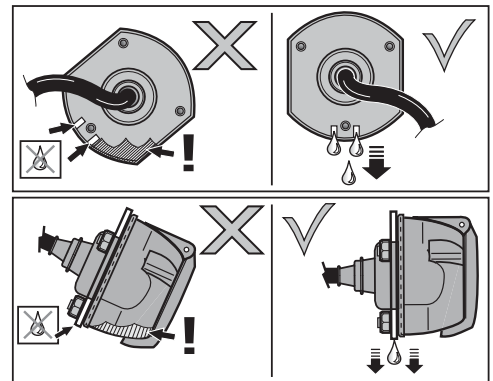
12

All Models

Option 1



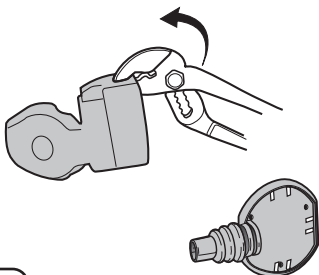
13



All Models

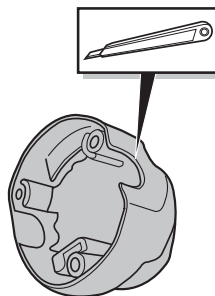
Option 2

1

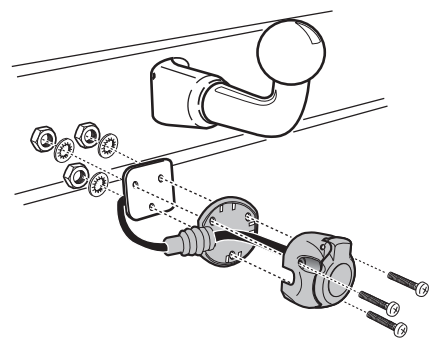


14

2



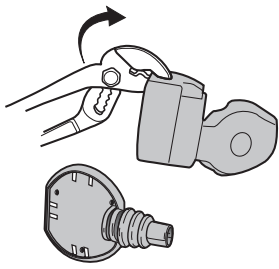
3



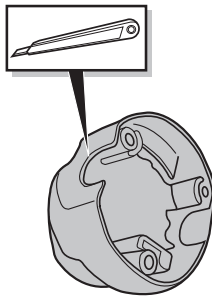
All Models

Option 3

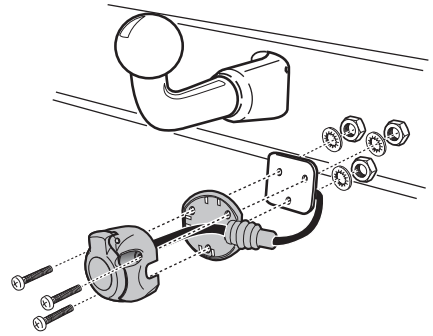
1



2



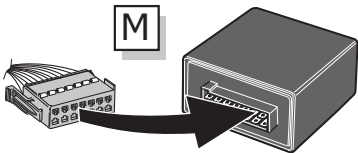
3



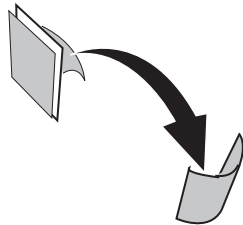
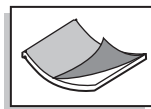
15

All Models

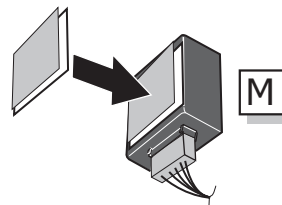
1



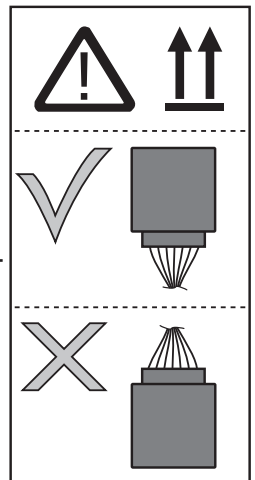
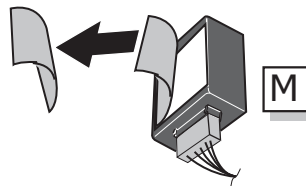
2



3

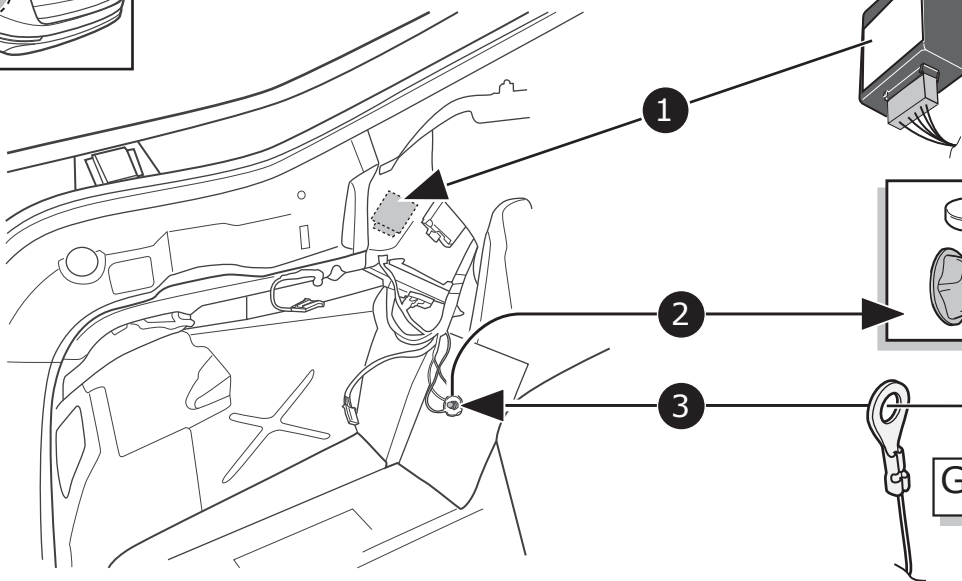
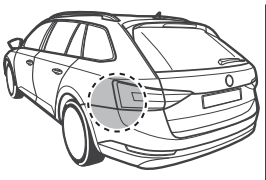


4



16

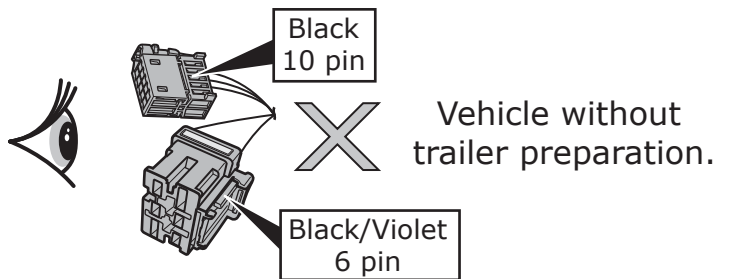
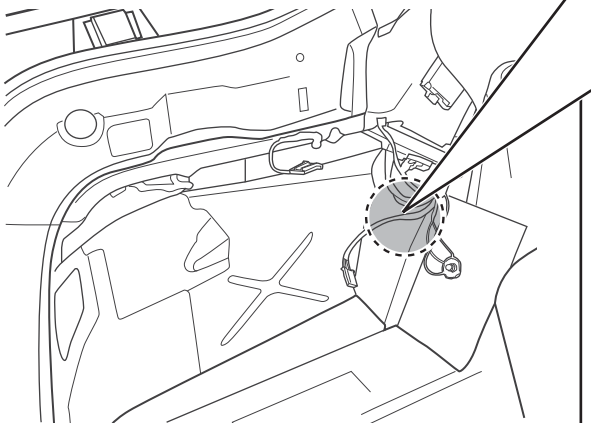
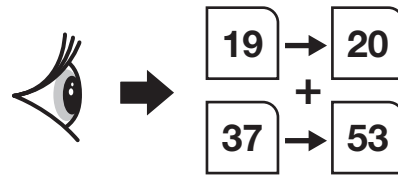
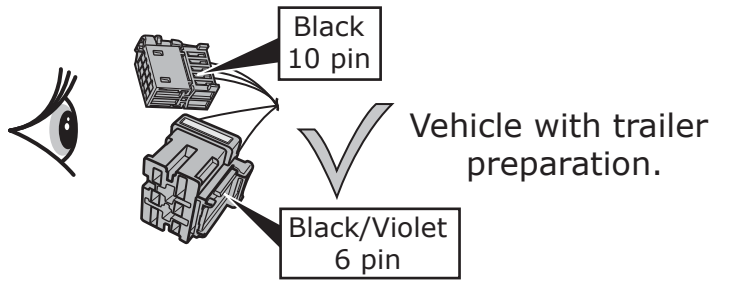
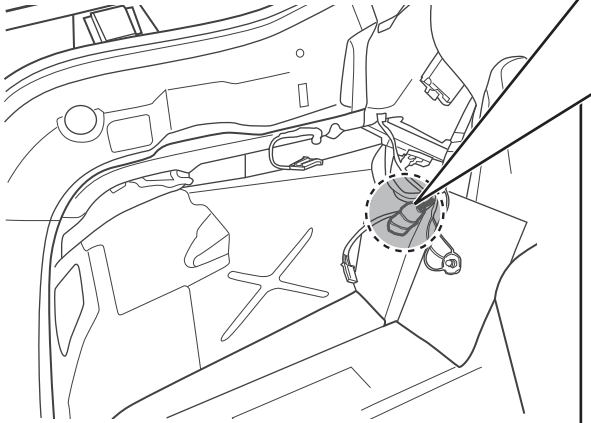
Saloon/ Estate



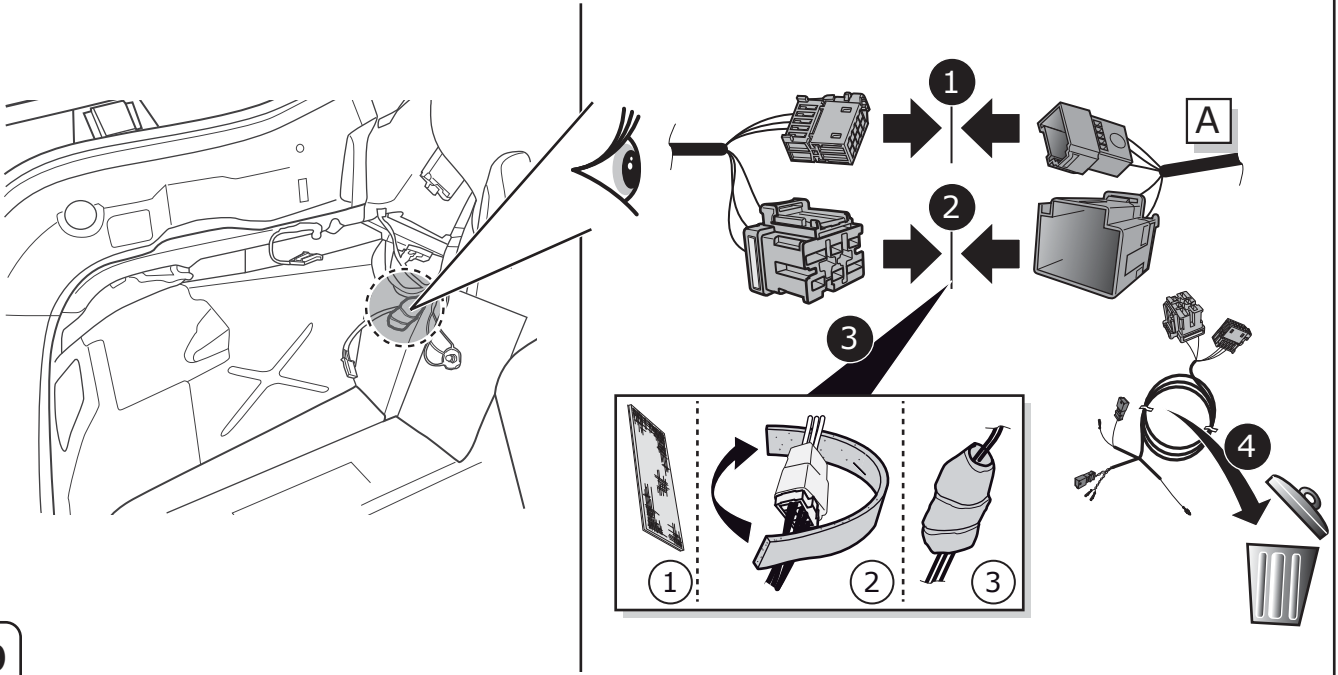
17



Saloon/ Estate

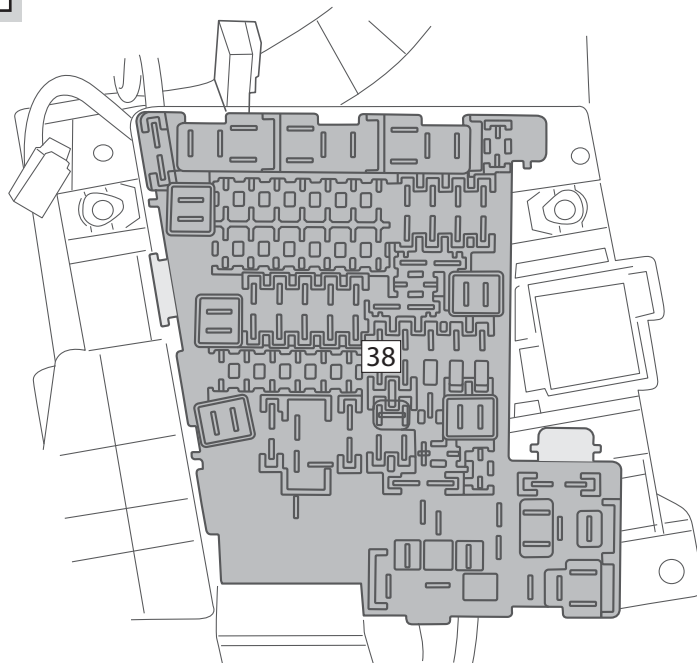
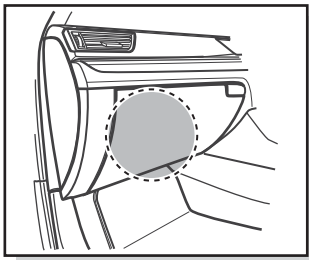


Vehicle with trailer preparation.



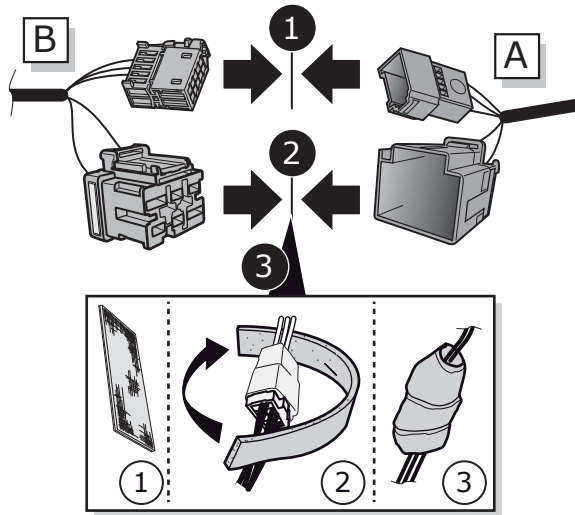
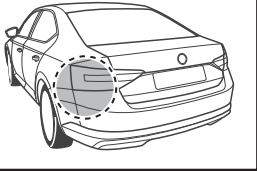
19

Vehicle with trailer preparation.



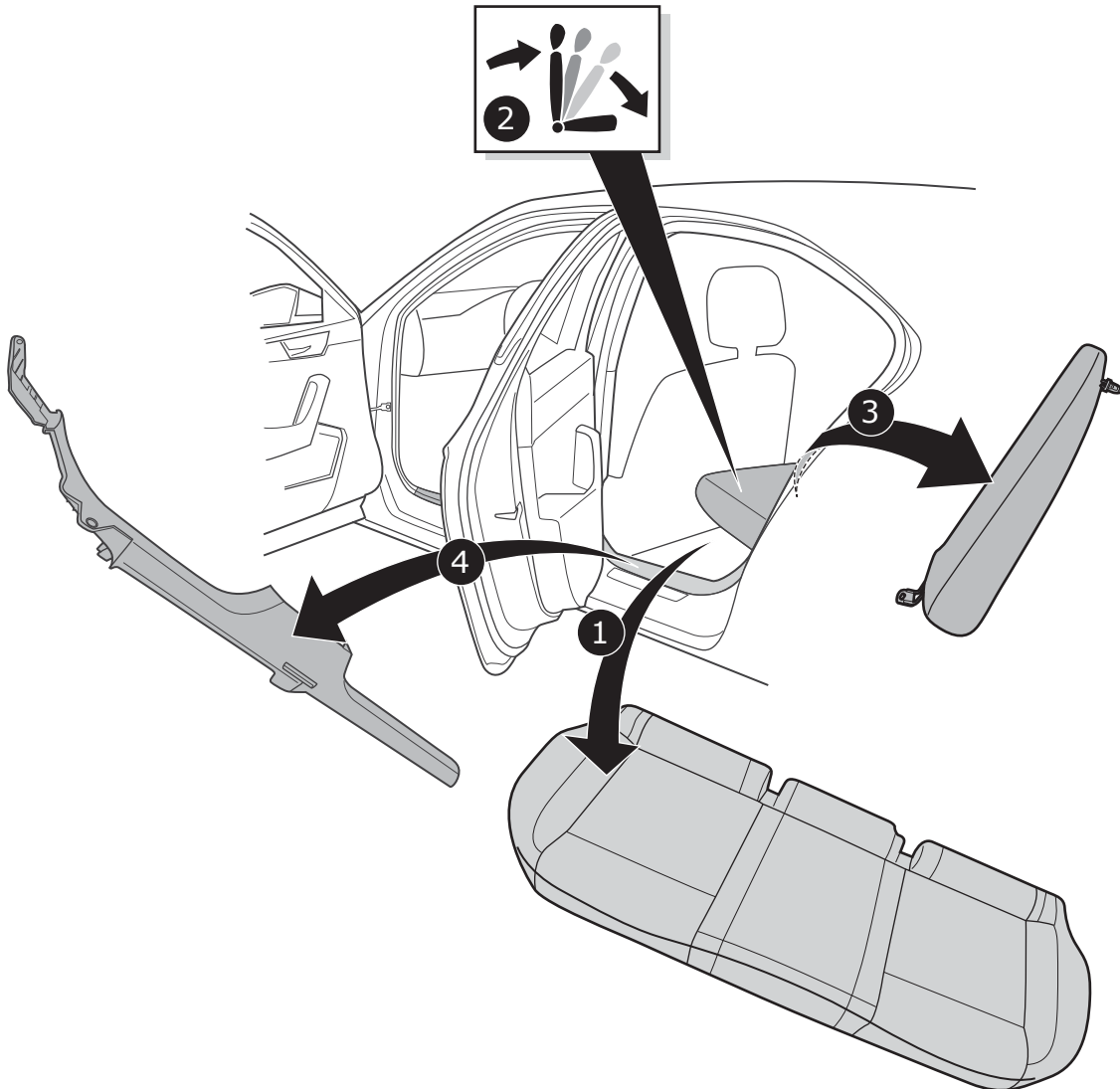
20

Vehicle without trailer preparation.



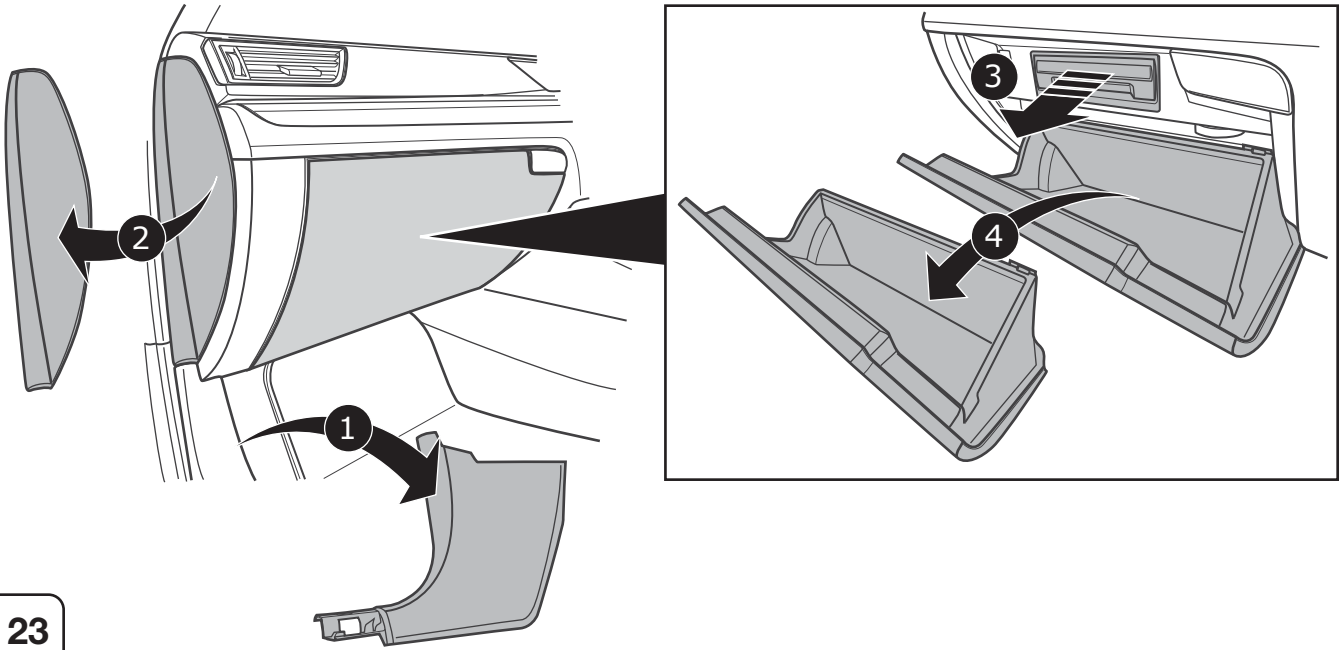
21

Vehicle without trailer preparation.

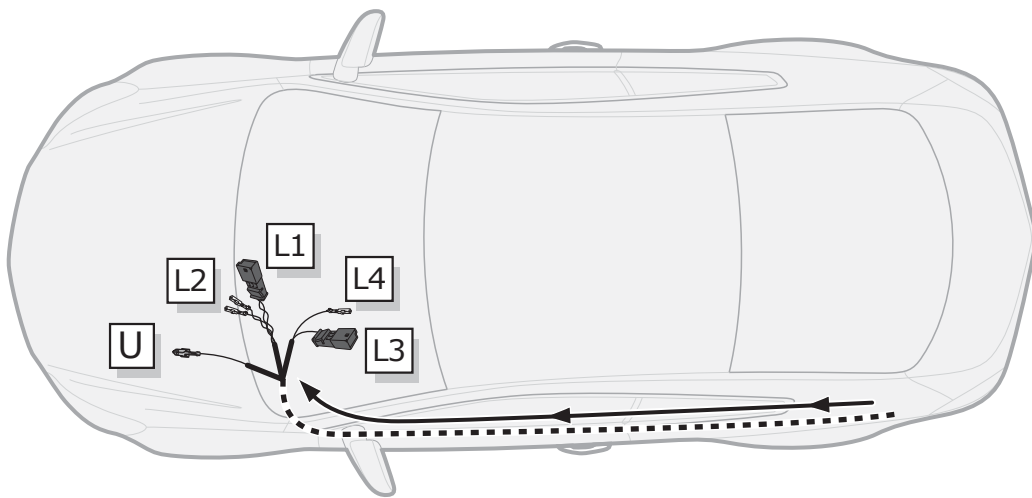


22

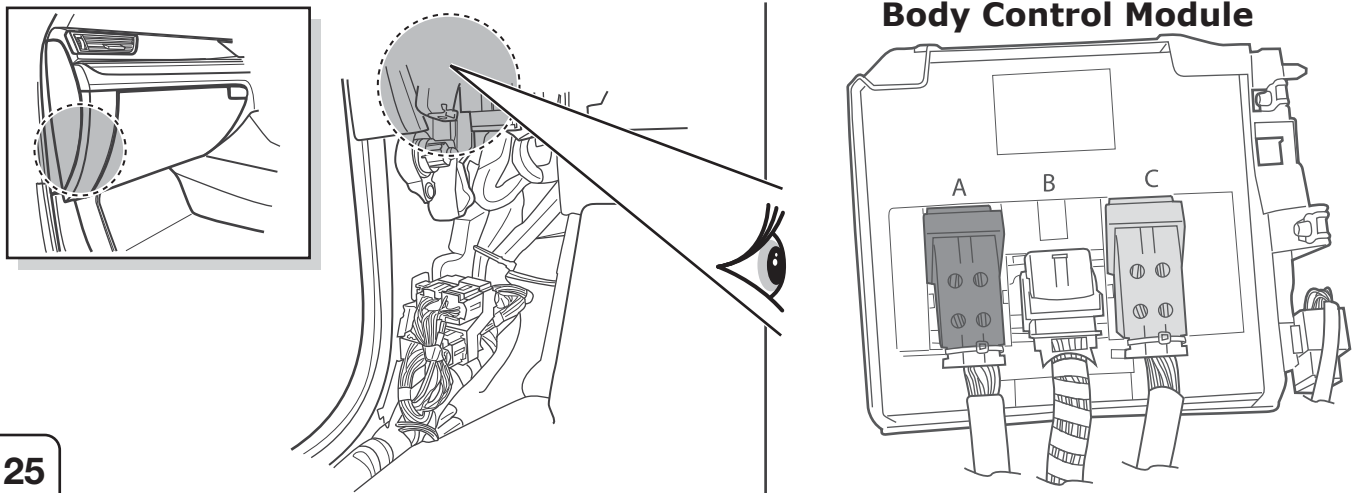
Vehicle without trailer preparation.



Vehicle without trailer preparation.

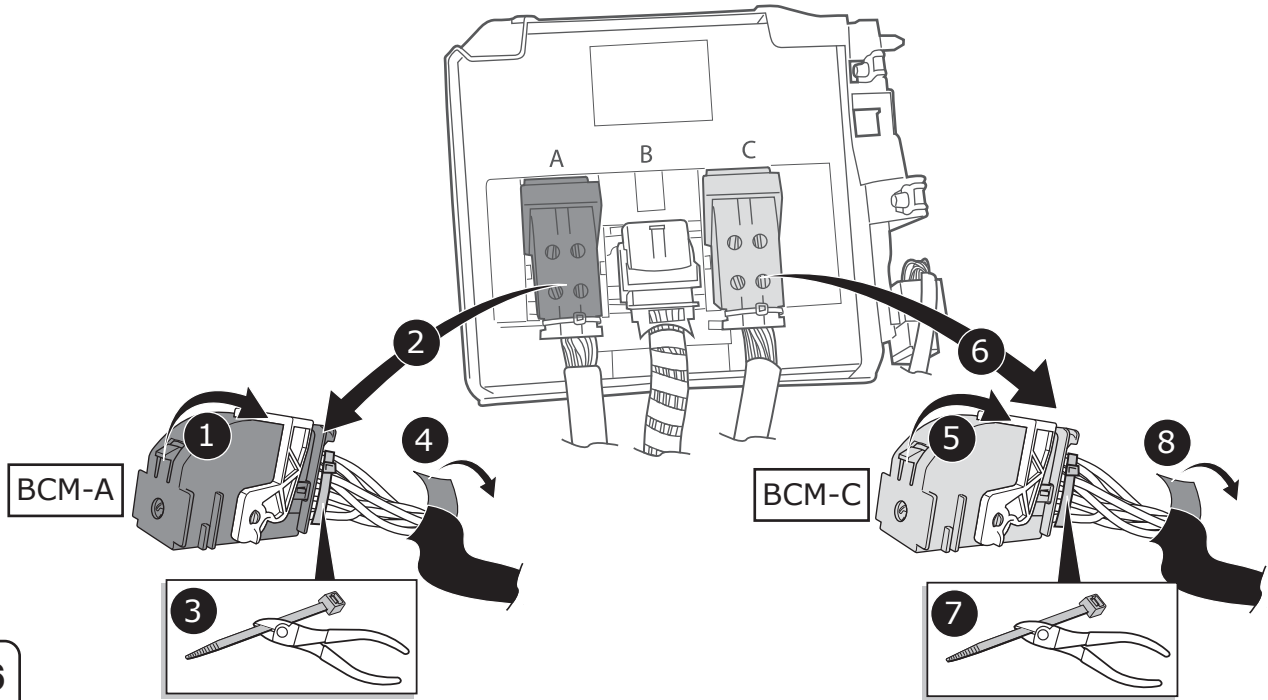


Vehicle without trailer preparation.



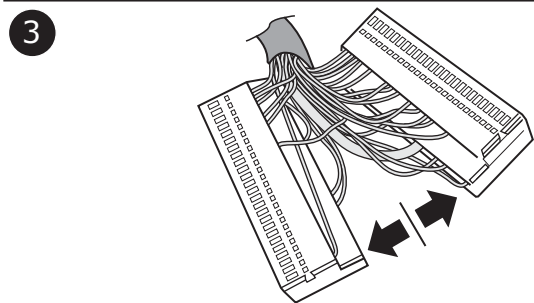
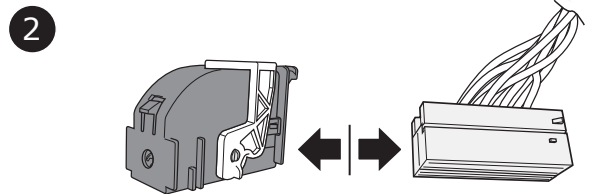
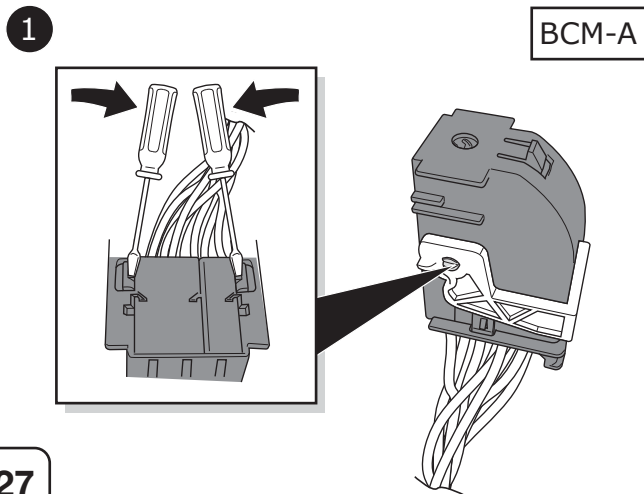
Vehicle without trailer preparation.

**Body Control Module**



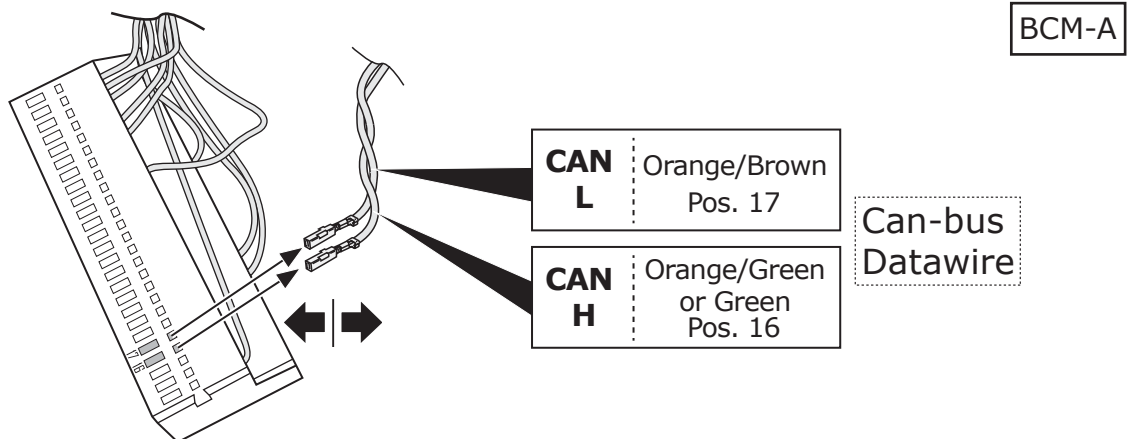
26

Vehicle without trailer preparation.



27

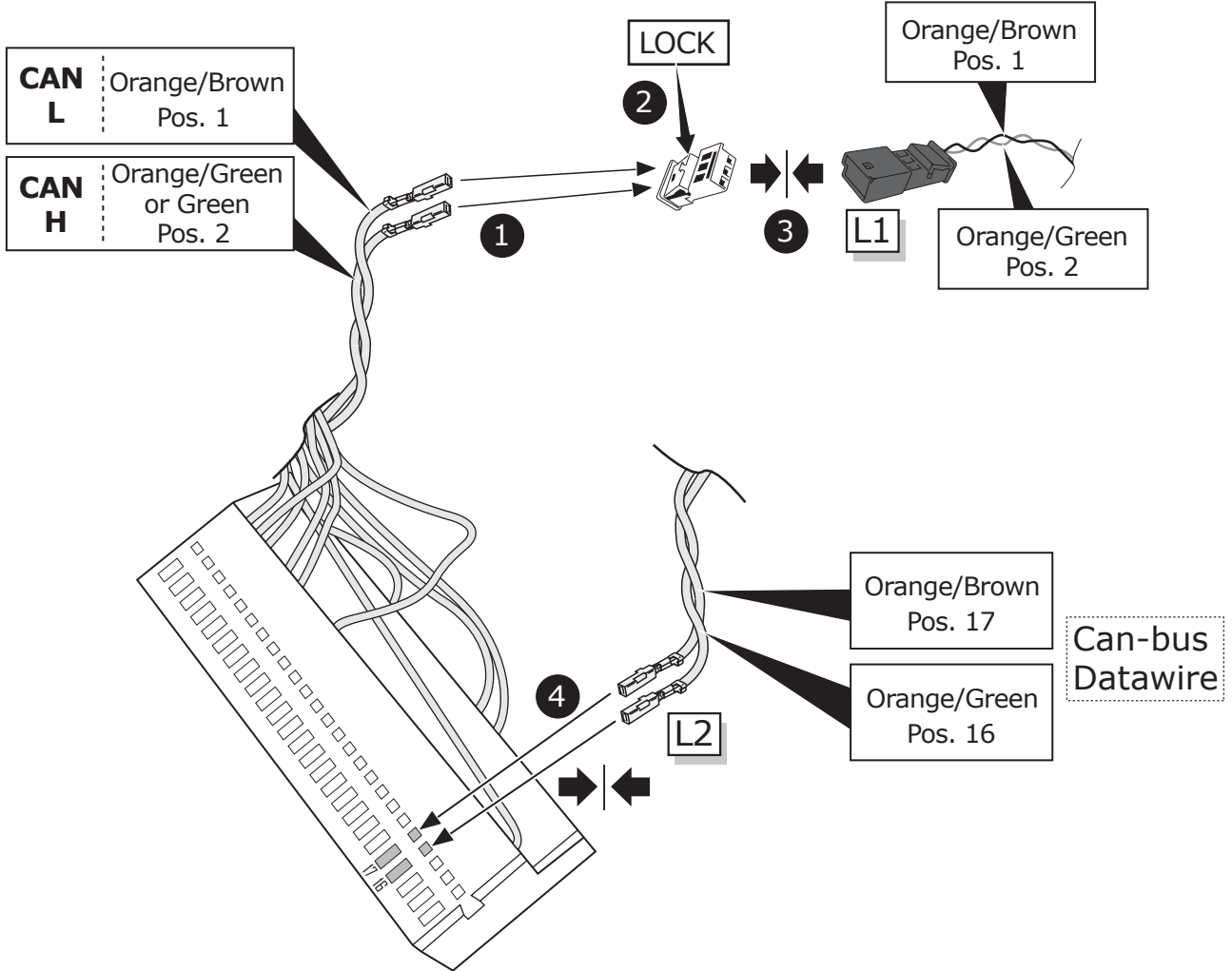
Vehicle without trailer preparation.



28

Vehicle without trailer preparation.

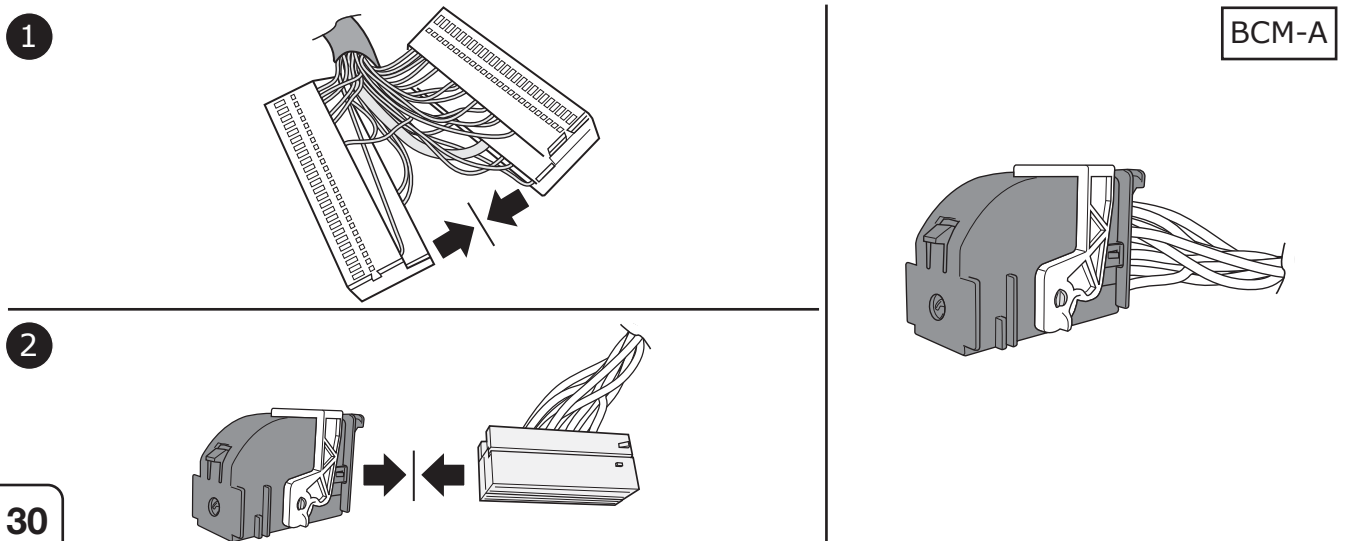
BCM-A



29

Vehicle without trailer preparation.

BCM-A



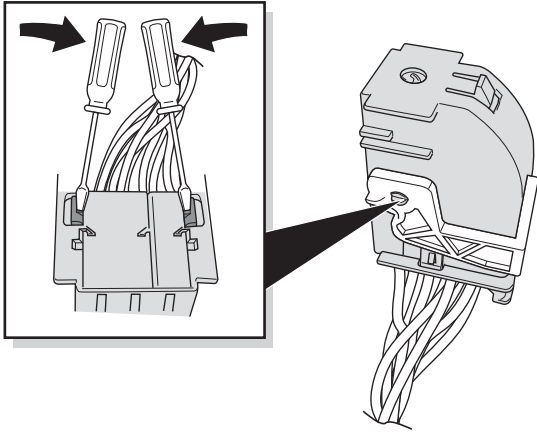
30



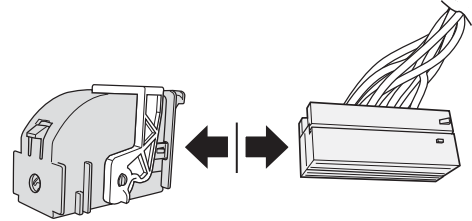
Vehicle without trailer preparation.

1

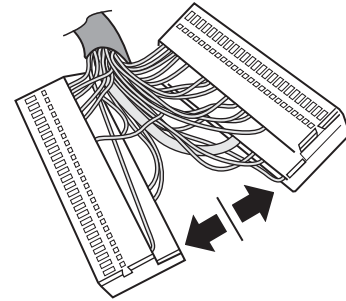
BCM-C



2



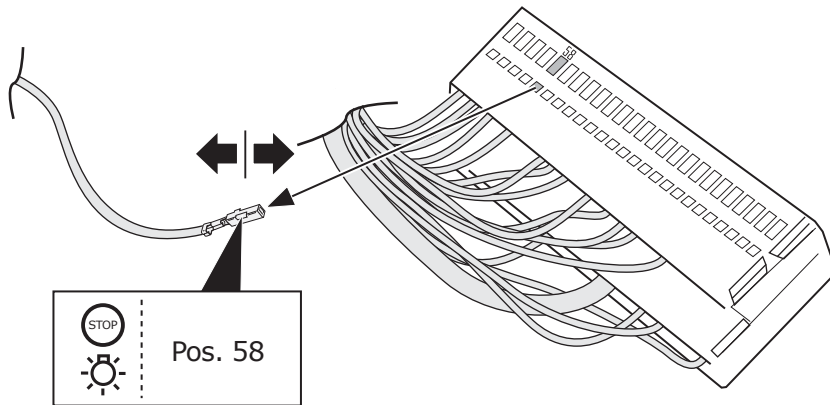
3



31

Vehicle without trailer preparation.

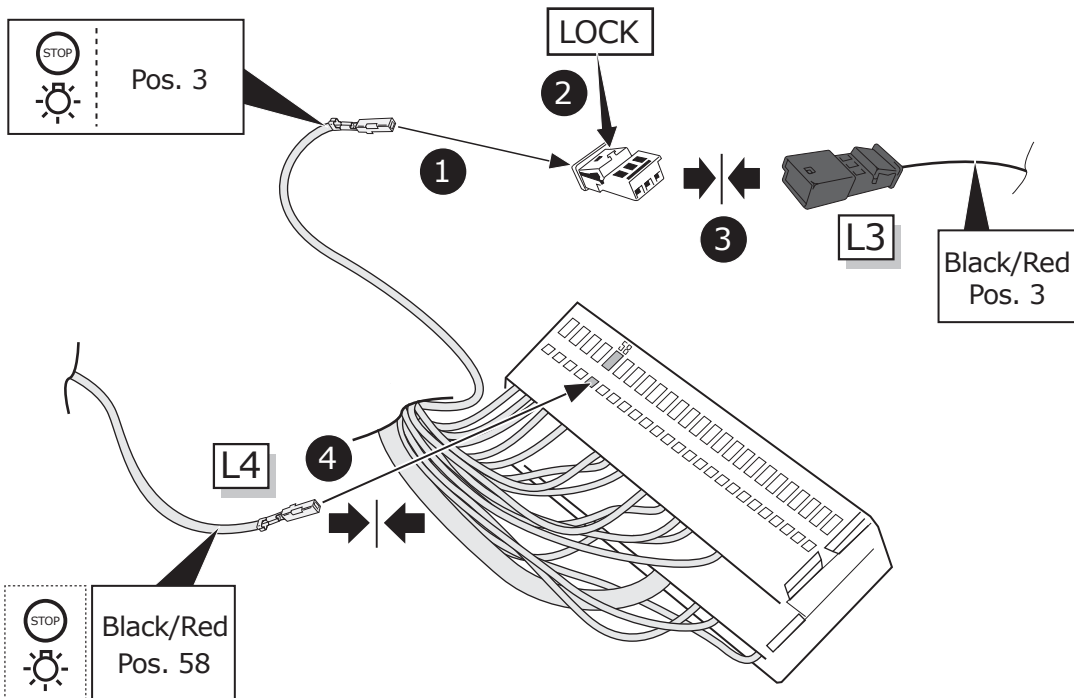
BCM-C



32

Vehicle without trailer preparation.

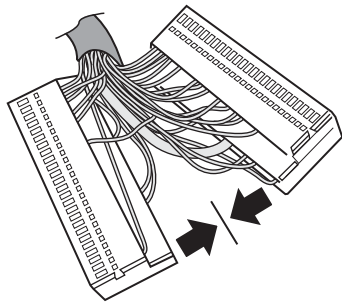
BCM-C



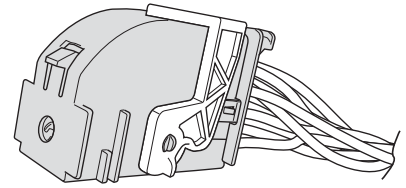
33

Vehicle without trailer preparation.

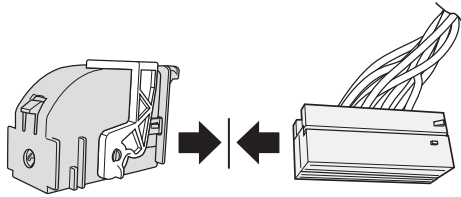
1



BCM-C



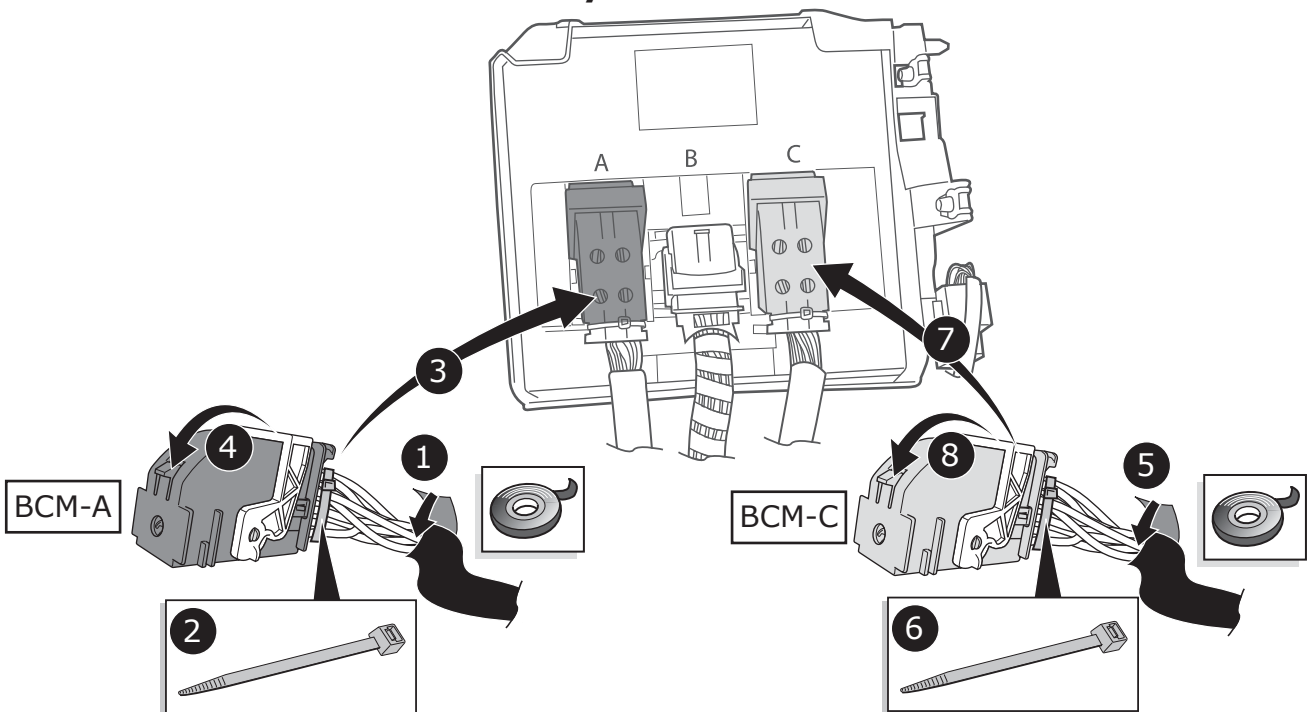
2



34

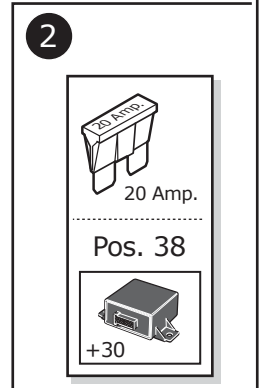
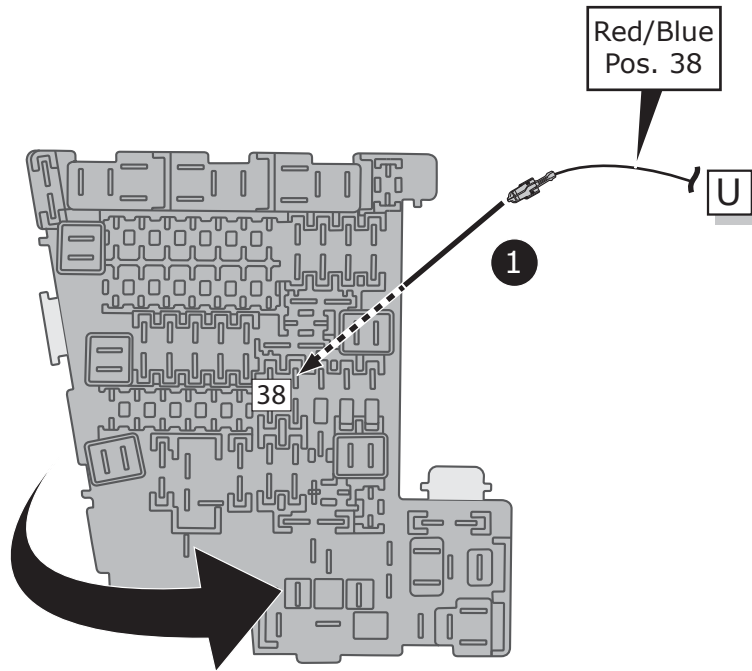
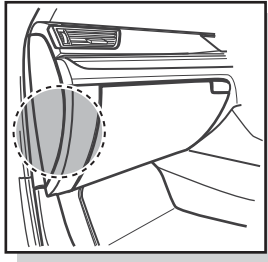
Vehicle without trailer preparation.

Body Control Module



35

Vehicle without trailer preparation.

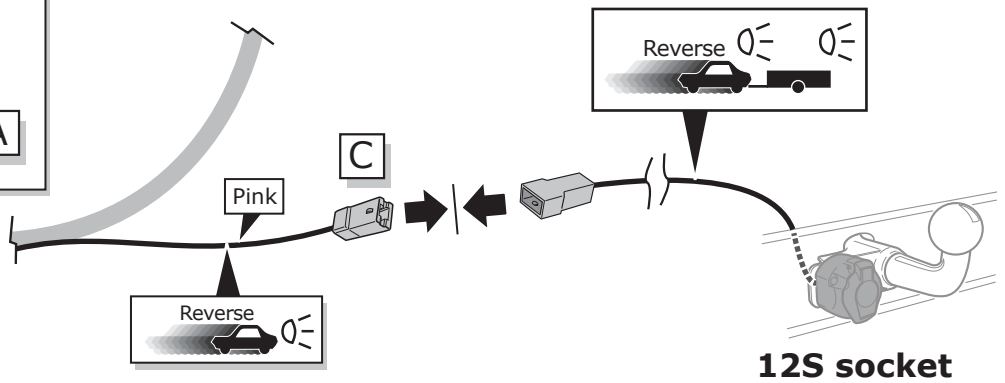
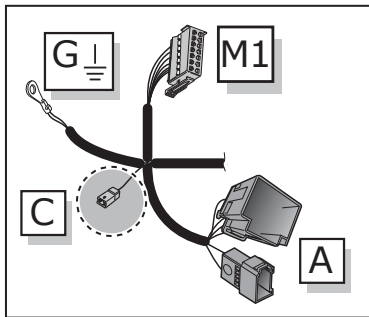


36

All Models

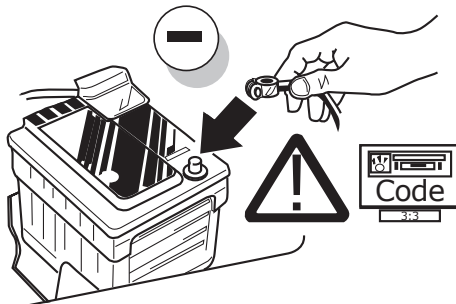
Optional

⚠ MAX = 21W



37

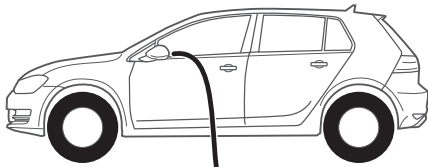
All Models



38

## All Models

### Set up trailer operation



#### Diagnosis Services or diagnostic methods (local / offline):

##### Please note:

Always use the latest diagnostic version!  
The vehicle to be coded must be supported by the diagnostic service provider and already be implemented in the diagnostics version!  
Please contact your diagnostic service provider in case of any question.

- ODIS (page 24)
- Hella Gutmann
- VCDS
- Autologic
- Bosch / KTS
- SP Diagnostic
- SUN
- Jifeline
- Autocom
- etc. pp.

39

## All Models

### Optional

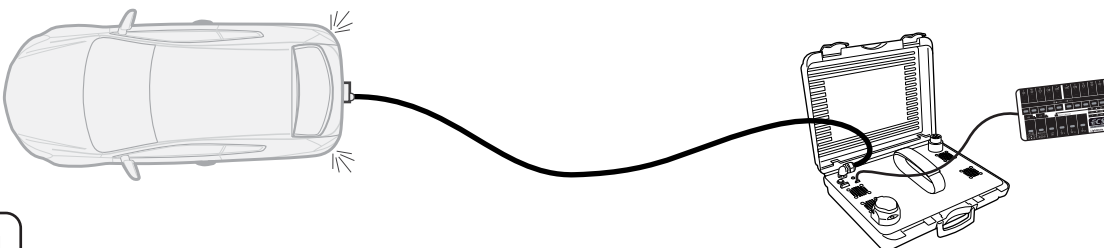
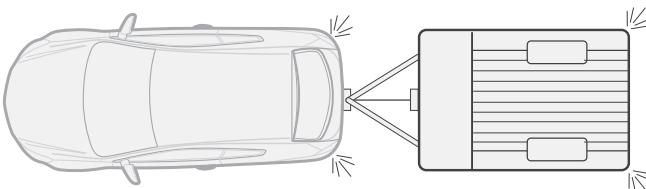
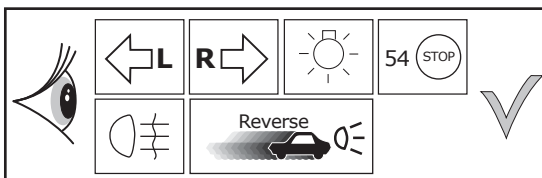


Trailer Simulator for 7- and 13-pin Sockets

40

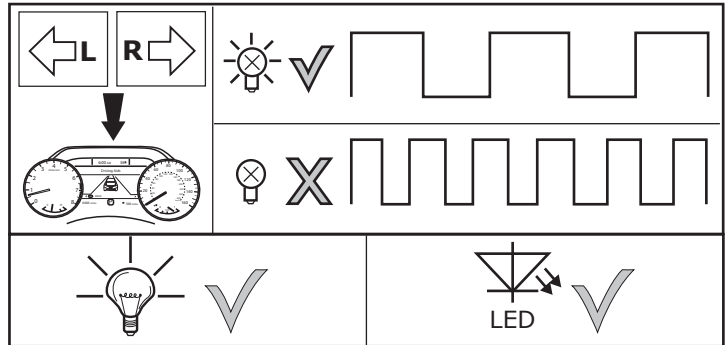
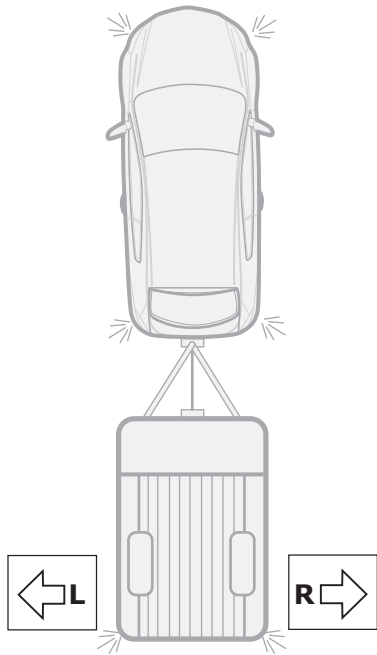
## All Models

### Functional test



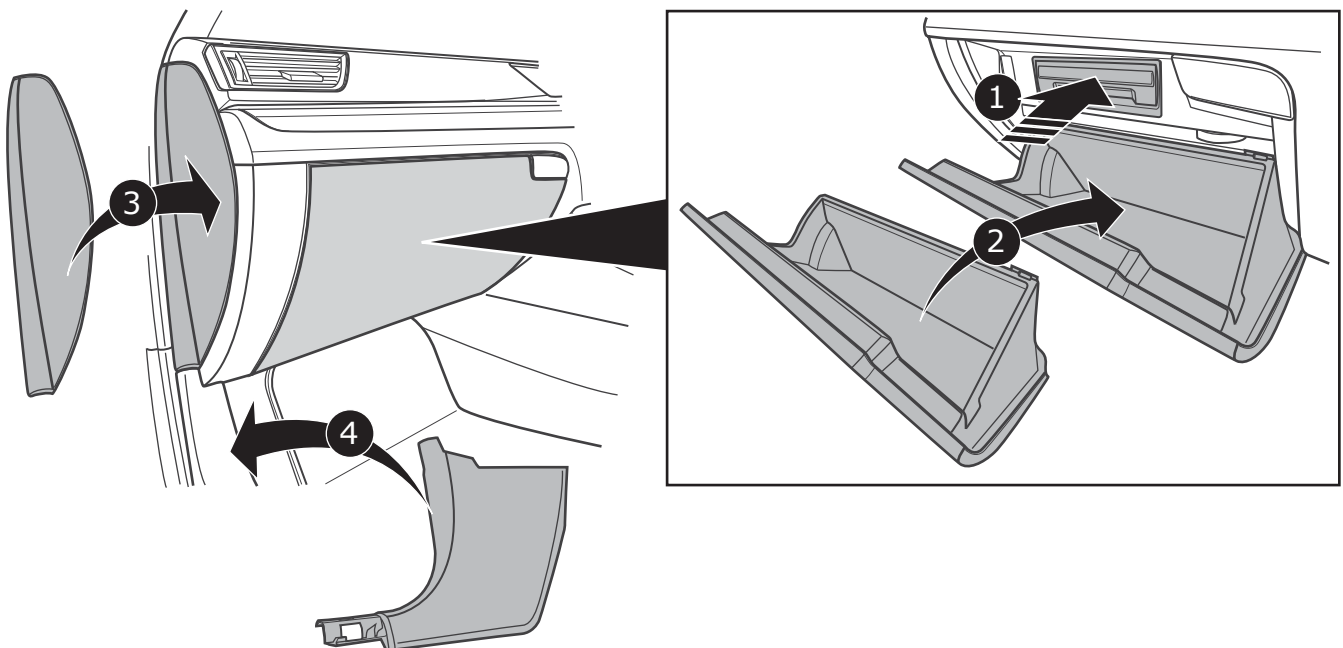
41

All Models



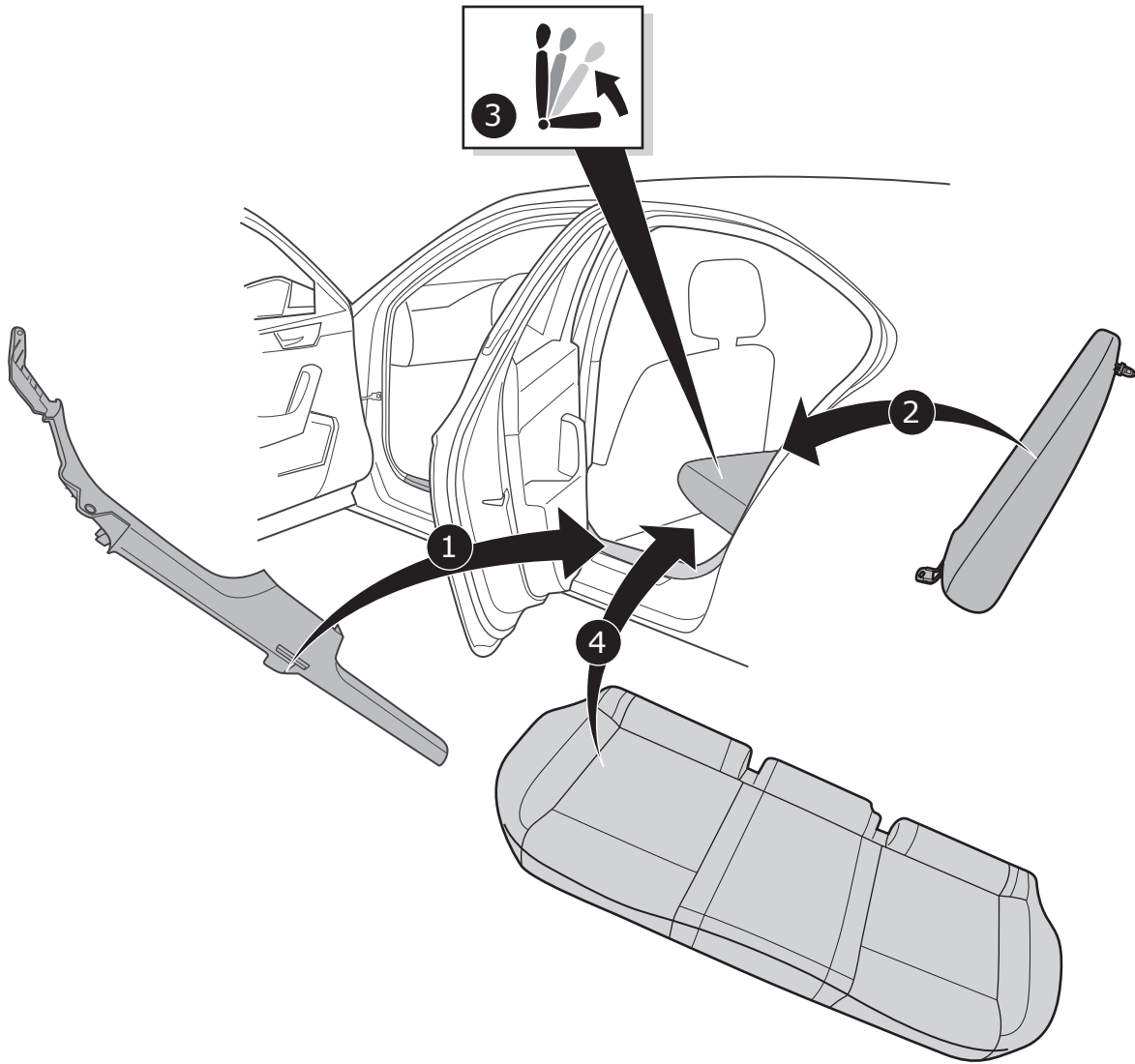
42

Saloon/ Estate



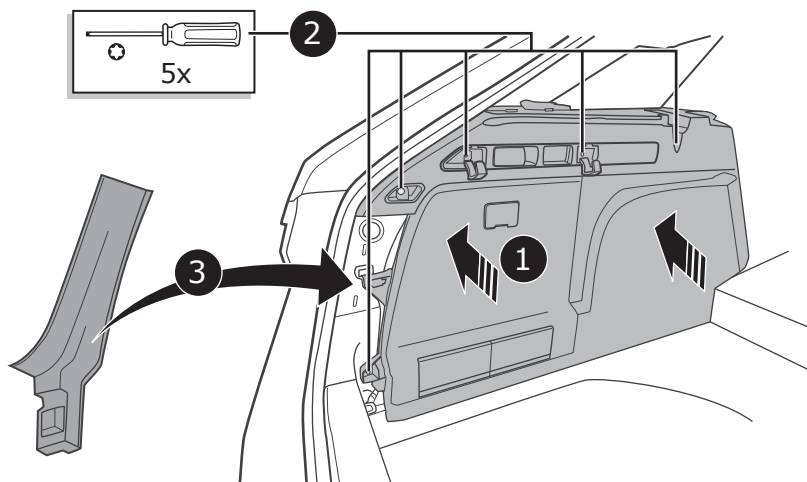
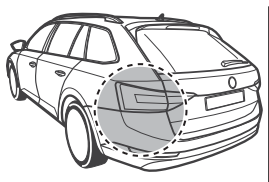
43

## Saloon/ Estate



44

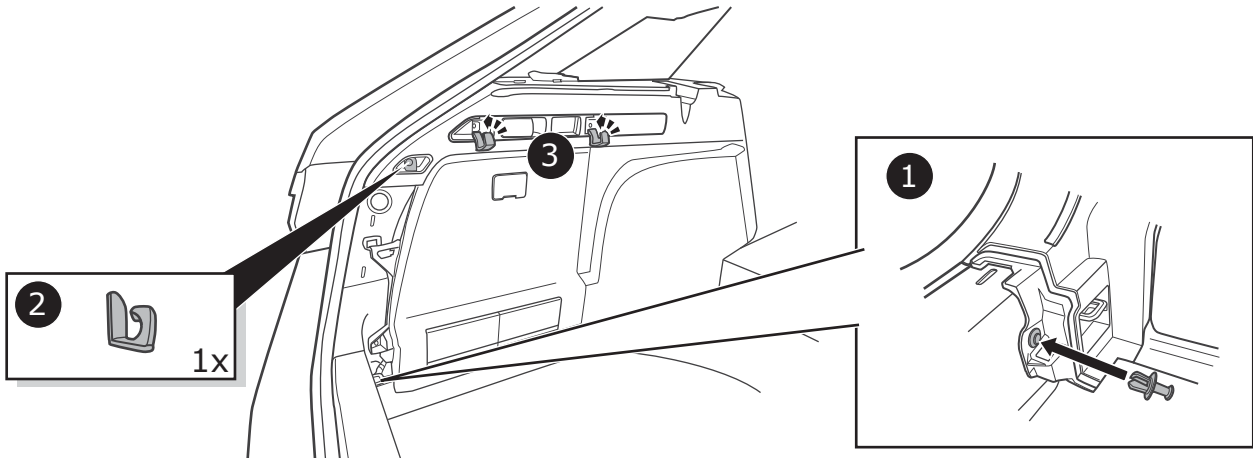
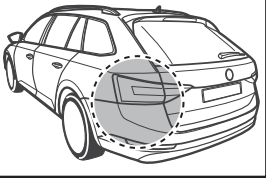
## Estate



45

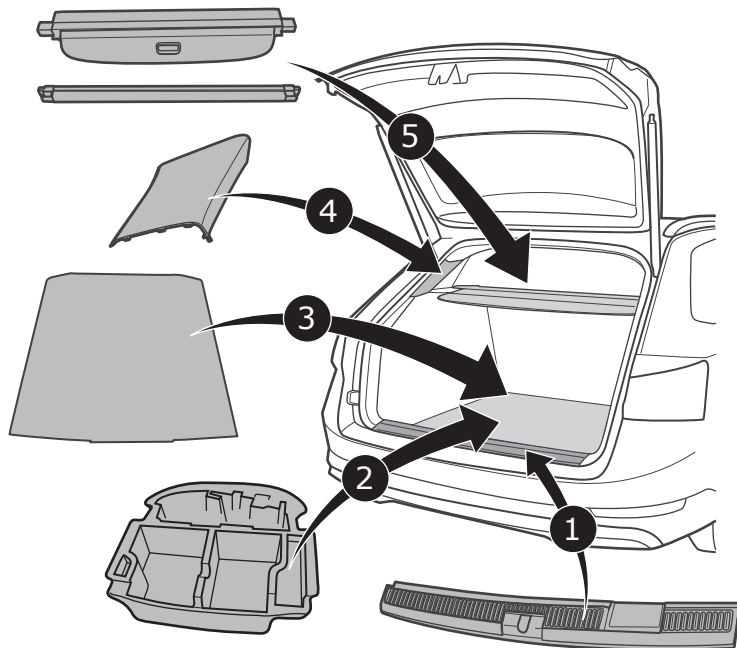


Estate



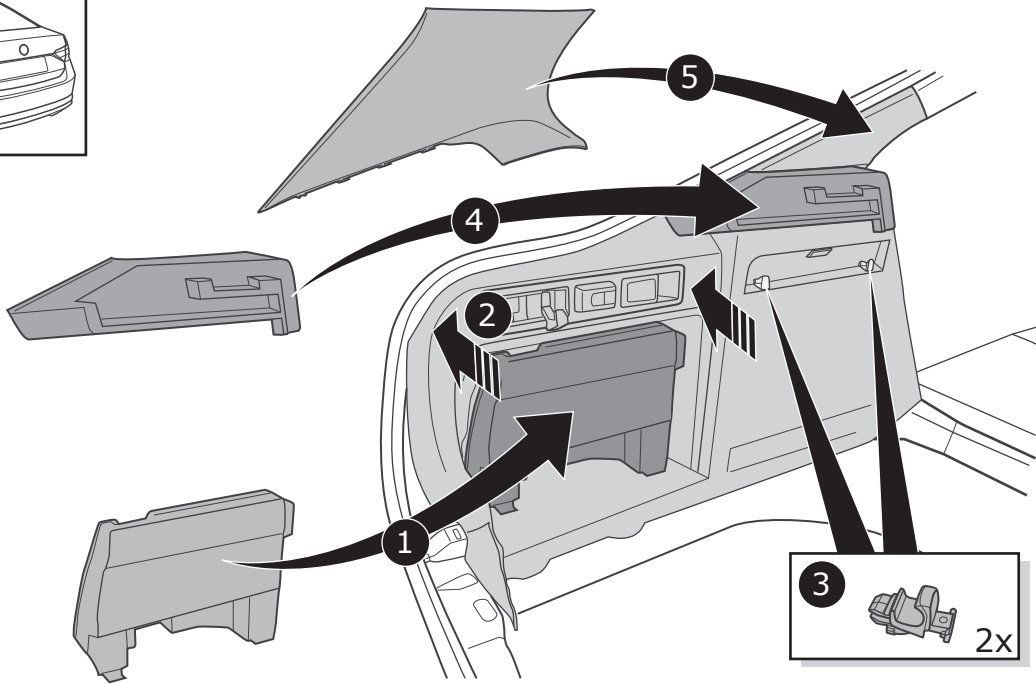
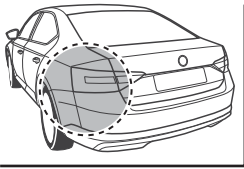
46

Estate



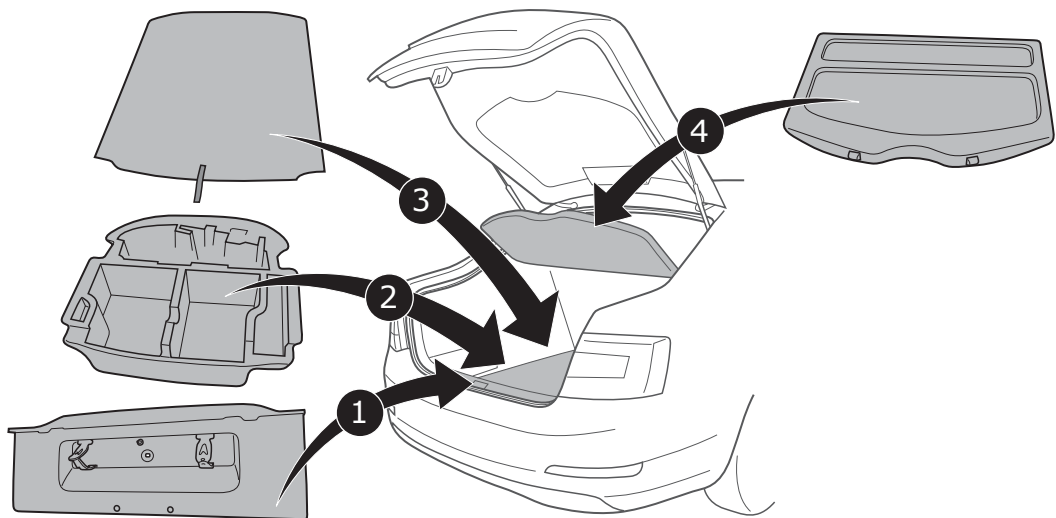
47

### Saloon



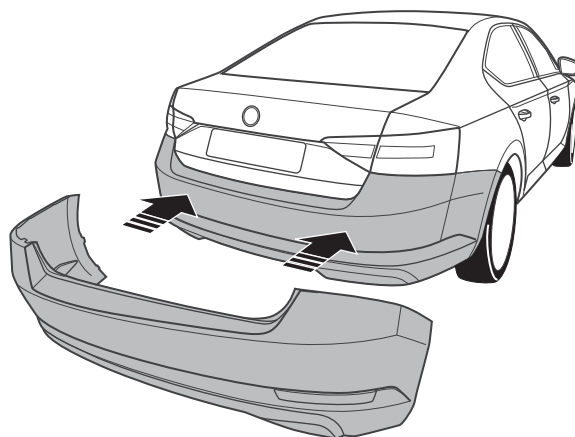
48

### Saloon



49

### Saloon

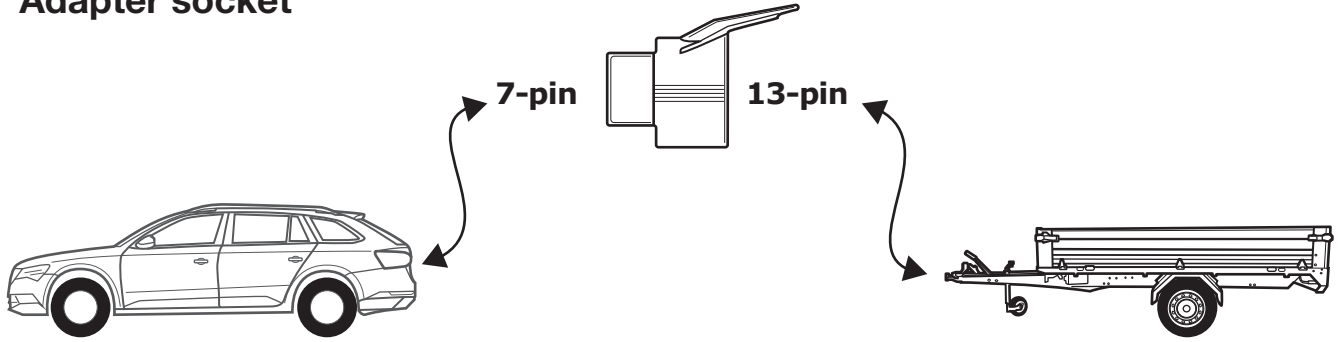


50

All Models

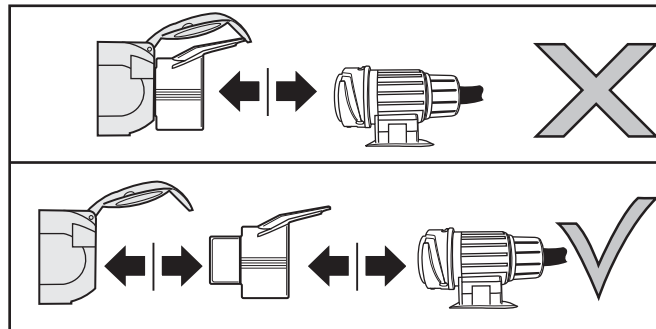
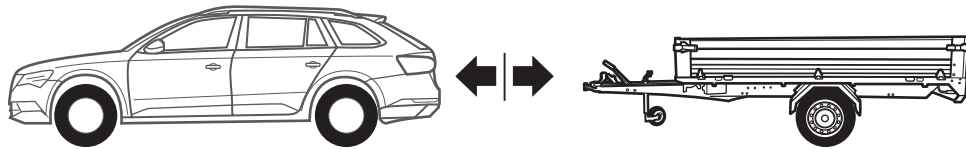
**Optional**

**Adapter socket**



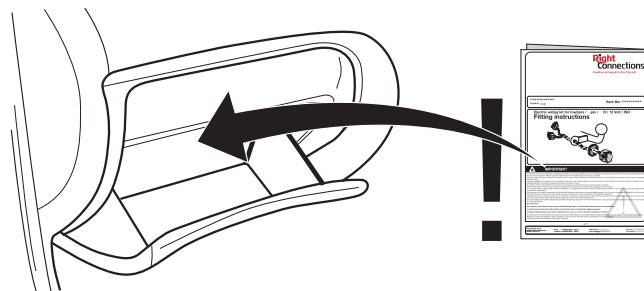
51

All Models

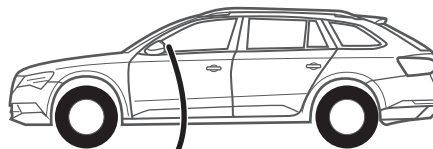


52

All Models



53



## Recommended Diagnostic-Service:

# Complete Diagnostics

remote diagnostic & coding solutions

Call Hotline +44 (0)1952 608 750 - Option 4

### CODING WITH ODIS

#### Please note:

The procedure described below for encoding and enabling the trailer mode only serves for a general orientation and can vary greatly depending on the model (motorisation / equipment). If necessary less or further control units will have to be adapted.

**Model year 2021 vehicles are equipped with a vehicle diagnosis protection (SFD). Make sure that access to locked on-board control units is granted by the diagnostic system:**

#### **Encoding 19 (Gateway)**

- Control unit self diagnosis
- Access Authorisation
- Online SFD activation
- Execute

*This enables 90 minutes where the adaptations/coding can be performed before the module is 're-locked'*

#### **Encoding 09 (Central Electronics)**

- Control unit self diagnosis
- Access Authorisation
- Online SFD activation
- Execute

*This enables 90 minutes where the adaptations/coding can be performed before the module is 're-locked'*

**After connecting to ODIS, the "69 trailer function" controller has to be set to encoded in the target installation list.**

The following may be necessary in the further course of work:

#### **EZE\_09 (Central Electronics):**

Diagnosis  
(possible login code: 31347)  
Networking plan  
Controller self-diagnosis  
Encode  
Trailer connection device >installed  
or: hitch\_ecu >installed

#### **Alternative encoding EZE\_09 as follows (MY 2017 >>):**

Self diagnose control unit  
Access authorization >31347  
Adjustment  
Integration  
Trailer control unit > installed

#### **ZKS\_46 (Central module convenience system)**

trailer monitoring >put on active  
trailer control unit >installed

#### **SWA\_3C (Lane Change Assist)**

ECU for draw bar >with ECU for draw bar

#### **SW2\_CF (Lane Change Assist2)**

ECU for draw bar >with ECU for draw bar

#### **SCH\_17 (Dash panel insert)**

Trailer >yes

#### **RFK\_6C (reverse camera system)**

equipment\_ahk >installed

#### **STF\_74 (chassis control system)**

Trailer >installed

#### **EPH\_76 (PDC controller)**

Trailer >trailer device can be removed manually

#### **DIS\_13 (controller distance control)**

(possible login code: 20103)  
Control module for towing sens >installed

#### **Alternative encoding DIS\_13 as follows:**

Self diagnose control unit  
Access authorization >20103  
Encoding  
Binary encoding  
**Byte 3**  
Binary >xxxx1xxx  
or Hex >+8

#### **03 Brake electronics**

Access authorization > 61378  
Adjustments  
Trailer stability >Active

#### **FFF\_A5 (front sensor system controller)**

AAG >coded

#### **HDE\_6D (boot lid electronics controller)**

Trailer >installed

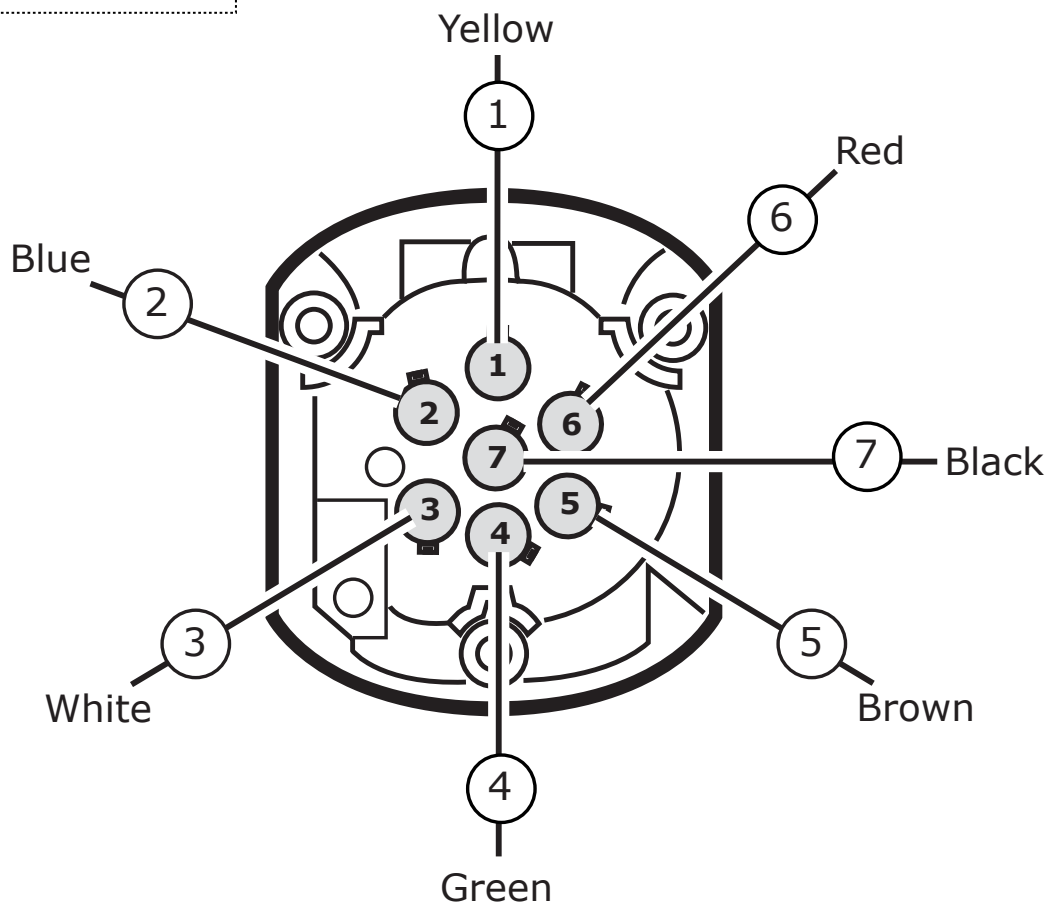
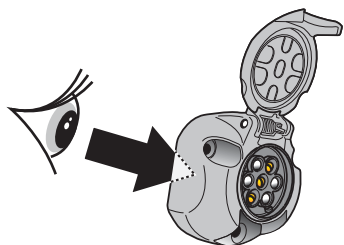
#### **Encoding 03 (Brake electronics)**

Adaptions  
Vehicle and trailer stabilization  
Set to Active

#### **Important note on encoding and activating in trailer mode:**

The aforementioned settings are carried out in the vehicle's electrical system and saved locally. During general updates for the vehicle software (for example, within the scope of service or repair work), the settings may be overwritten and deleted under certain circumstances. In this case, the trailer mode activation has to be updated again locally after the update. Diagnostic information relating to the trailer mode that may appear during variance comparisons with the data saved in the manufacturer's works, may form the basis of the local activation.

## SOCKET CONNECTION



## SOCKET CONNECTION

DIN/ISO 1724							
	1/L	2	3/31	4/R	5/58-R	6/54	7/58-L
Pmax	21W	21W		21W	52W	3x21W	52W
Colour	Yellow	Blue	White	Green	Brown	Red	Black