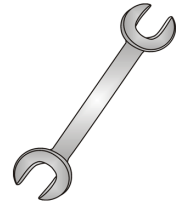




# Tow-Trust Towbars

Important: Please read General Notes overleaf before fitting



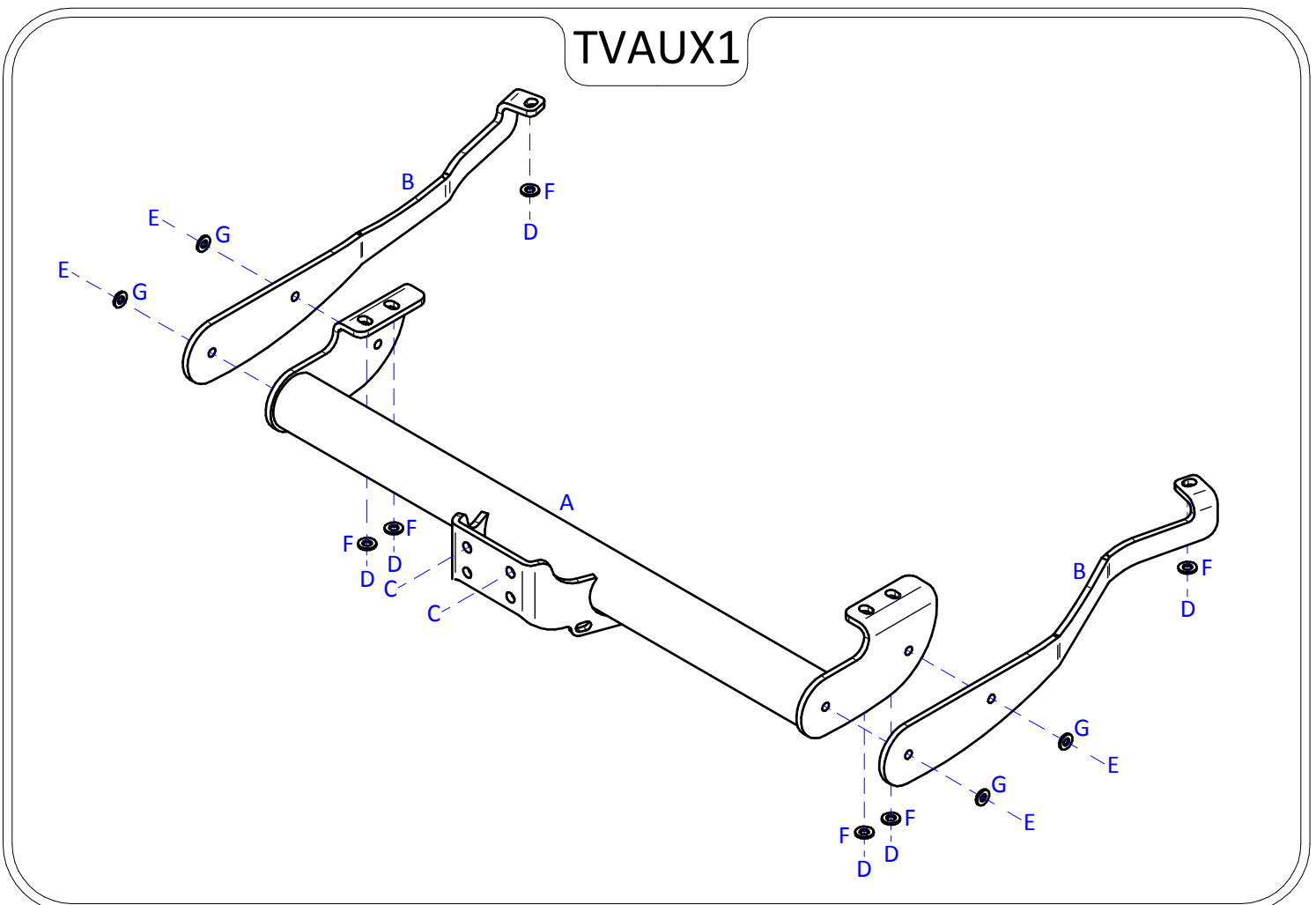
Issue 3

**TVAUX1 VAUXHALL VIVARO / RENAULT TRAFIC 2014> / FIAT TALENTO 2016> / NISSAN NV300 2016>**

Item	Qty	Description	Item	Qty	Description
A	1	Crossmember	C	2	M16 x 60 Bolts & Nyloc Nuts
B	2	Handed Side Arms	D	6	M14 x 45 x 1.5 Bolts & S/P Washers
			E	4	M12 x 45 Bolts (Grade 10.9), 2 Nyloc Nuts & 2 S/P Washers
			F	6	14 x 27 Flat Washers
			G	4	12 x 25 Flat Washers

## TOWBAR INSTALLATION:

1. Identify Towbar mounting points.
2. Clean chassis members around mounting points so they are free from any under seal / mastic.
3. Using Item **D** with Item **F** fix Item **A** to the vehicle.
4. Using Item **E** with Item **G** fix Items **B** to each end of Item **A**.
5. Using Item **D** with Item **F** fix Items **B** to the vehicle.
6. Using Item **C** bolt your desired ball bracket and wiring plate (Not supplied in this kit) to Item **A**.
7. Fully tighten all fixings until Towbar is rigid, square and secure.



## Note:

1. Recommended Torque Setting for M12 Grade 10.9 -139 Nm. (For other Torque Settings see notes overleaf.)
2. Nose load limits and vehicle manufacturers trailer / caravan weight limits must be observed.