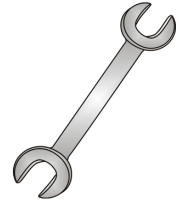




Tow-Trust Towbars

Important: Please read General Notes overleaf before fitting



Issue 2

TSDA1SN SEAT TOLEDO 2013> / SKODA RAPID 2012>

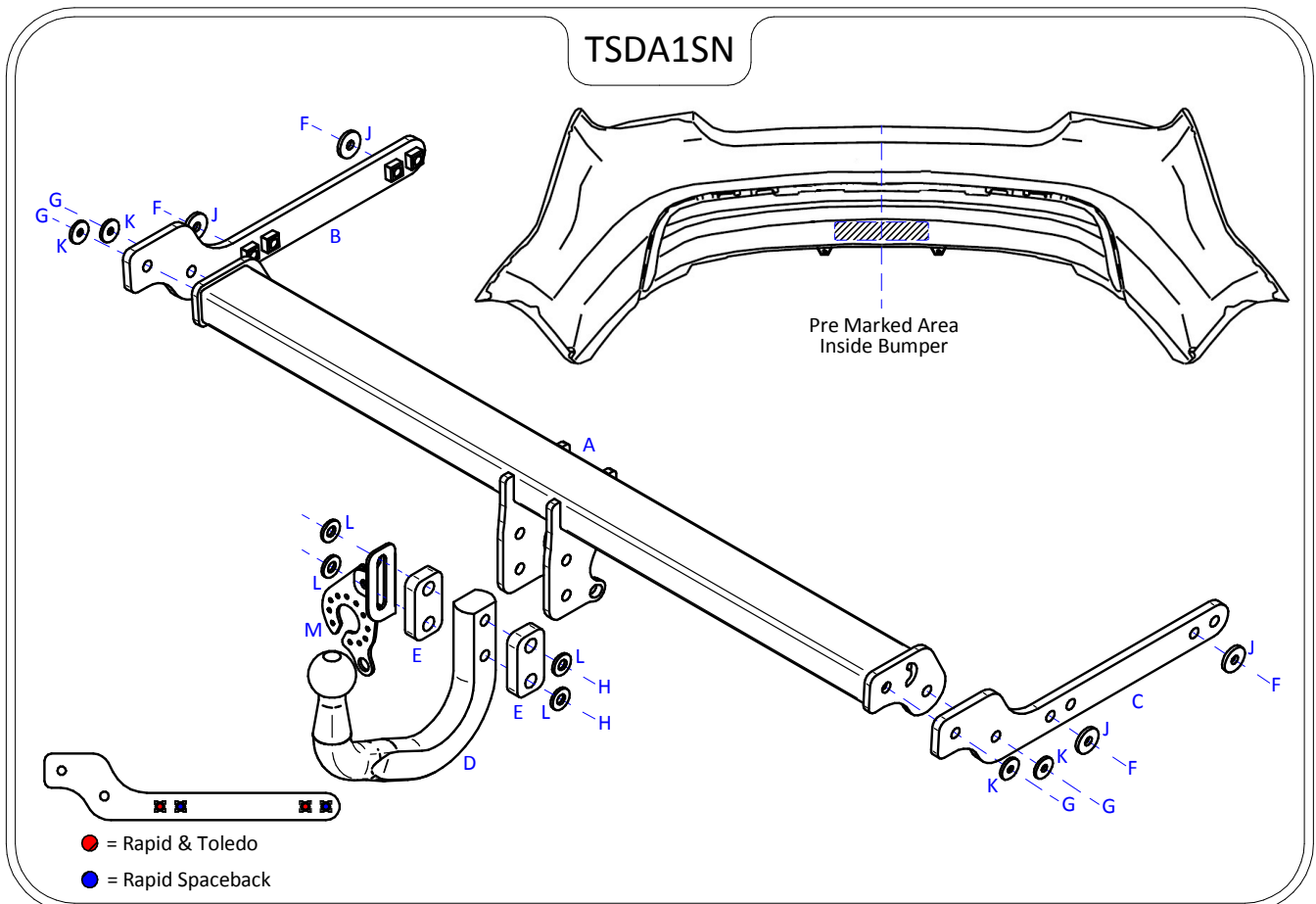
Item	Qty	Description	Item	Qty	Description
A	1	Crossmember	E	2	15mm Spacer Plates
B	1	N/S Side Arm	F	4	M10 x 35 Grade 10.9 Bolts & 4 S/P Washers
C	1	O/S Side Arm	G	4	M10 x 40 Grade 10.9 Bolts, 2 Nuts & 4 S/P Washers
D	1	ACS2 / 9202 Swan Neck	H	2	M12 x 110 Grade 10.9 Bolts & Nyloc Nuts
			J	4	10 x 30 Flat Washers
			K	4	10 x 25 Flat Washers
			L	4	12 x 25 Flat Washers
			M	1	Flip Up Socket Plate (TTFP/LH)

BUMPER REMOVAL:

1. Remove the rear light clusters, two fixings found behind black plastic covers. (Use hook from vehicle tool kit to remove covers).
2. Remove three fixings from each wheel arch, and one fixing just off the centreline on the bumper lower edge.
3. Remove six fixings securing bumper and under tray on the N/S and five fixings securing bumper and undertray on the O/S.
4. Carefully pull bumper tips from the vehicle then pull bumper rearwards.
5. Remove the rear impact beam and refit bolts into rear panel. (Beam is NOT refitted with the Towbar assembly).

TOWBAR INSTALLATION:

1. Insert Item B and Item C into each correct chassis member and fix in place using Items F and Items J.
2. Using Items G with Items K fix Item A between each side arm. (Items B & C).
3. Using Item H with Item L and Item E fix Item D and Item M to Item A.
4. Fully tighten all nuts and bolts to the correct torque setting.
5. Cut the manufacturer's pre marked area inside the bumper and refit to the vehicle.



Note:

1. Recommended Torque Setting for M12 Grade 10.9 -139 Nm. (For other Torque Settings see notes overleaf.)
2. Nose load limits and vehicle manufacturers trailer / caravan weight limits must be observed.