



Tow-Trust Towbars

Important: Please read General Notes overleaf before fitting



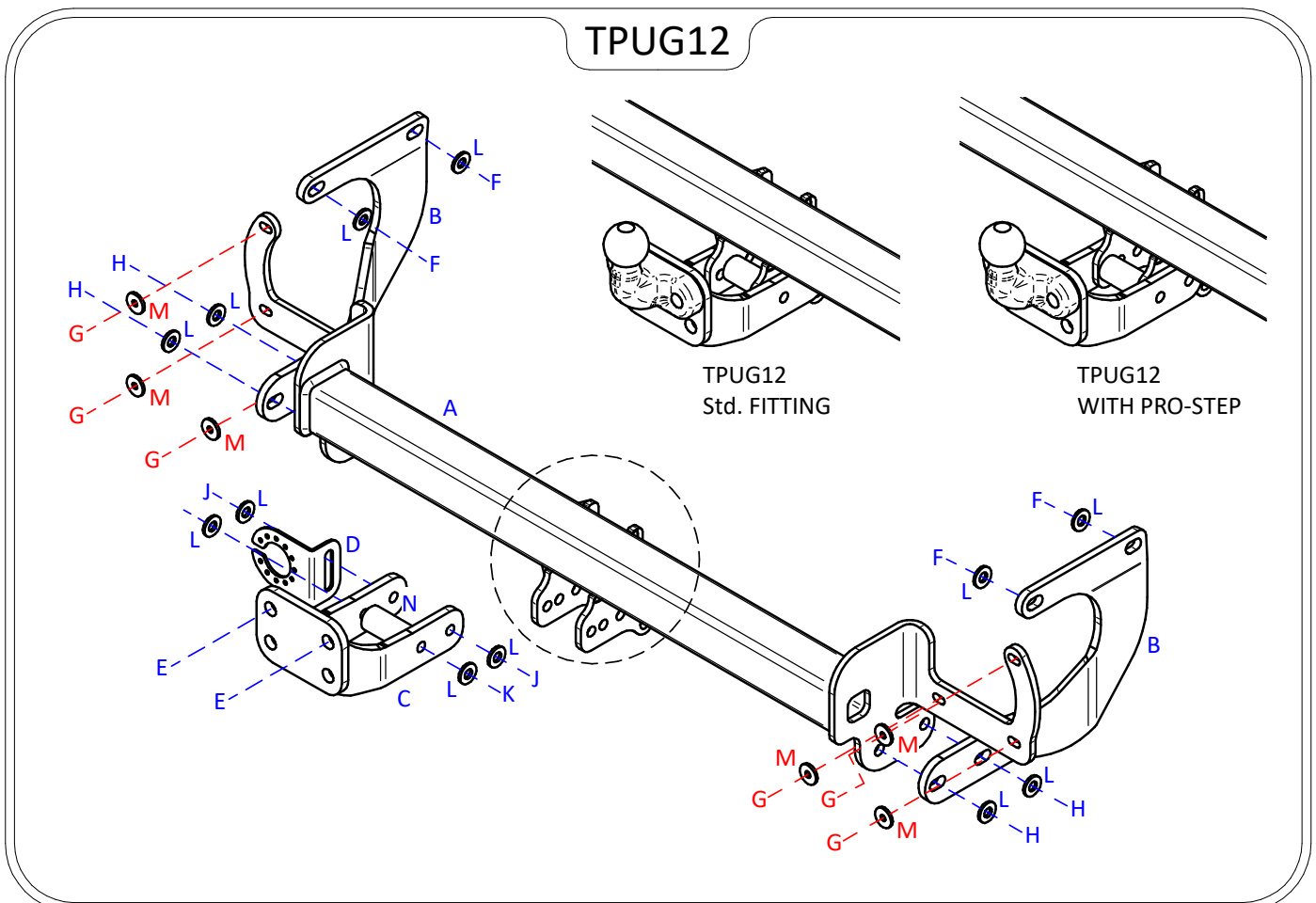
Issue 3

TPUG12 CITROEN DISPATCH / SPACE TOURER PEUGEOT EXPERT / TRAVELLER TOYOTA PROACE 2016>

Item	Qty	Description	Item	Qty	Description
A	1	TPUG12 Crossmember	E	2	M16 x 50 Bolts & Nyloc Nuts
B	2	Handed Side Arms	F	4	M12 x 45 Bolts (10.9) & S/P Washers
C	1	Extension	G	6	M8 x 35 (10.9) Bolts & S/P Washers
D	1	Socket Plate 1	H	4	M12 x 40 Bolts & Nyloc Nuts
			J	2	M12 x 40 Bolts & Nyloc Nuts
			K	1	M12 x 130 Bolt (10.9) & Nyloc Nut
			L	12	12 x 25 Flat Washers
			M	6	8 x 25 H/D Flat Washers
			N	1	30mm O/D x 60mm Long Spacer Tube
			P	2	M16 x 40 Bolts

TOWBAR INSTALLATION:

1. Remove the two fixings from the lower edge of the rear bumper.
2. Remove three fixings either side (two outer and one lower inner) securing the rear impact beam to the back panel.
3. Using Item G with item M fix item A to the rear panel.
4. Using Item F with Item L fix Items B to the inside face of each chassis.
5. Fix Items B to Item A using Item H with Item L.
6. Using Item J with Item L and Item K with Item L fix Item C and Item D to Item A ensuring Item N is fitted between the rearmost point.
7. Using item E fix you desired ball bracket (not supplied in this kit) to Item C.
8. Fully tighten all fixings ensuring the Towbar is rigid, square and secure.
9. Refit the fixings into the bumpers lower edge.



N

1. Recommended Torque Setting for M12 Grade 10.9 -139 Nm. (For other Torque Settings see notes overleaf.)
2. Nose load limits and vehicle manufacturers trailer / caravan weight limits must be observed.