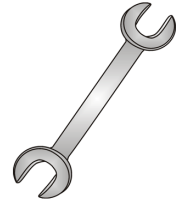




# Tow-Trust Towbars

Important: Please read General Notes overleaf before fitting



Issue 5

## TT11VK TOYOTA RAV 4 2013>

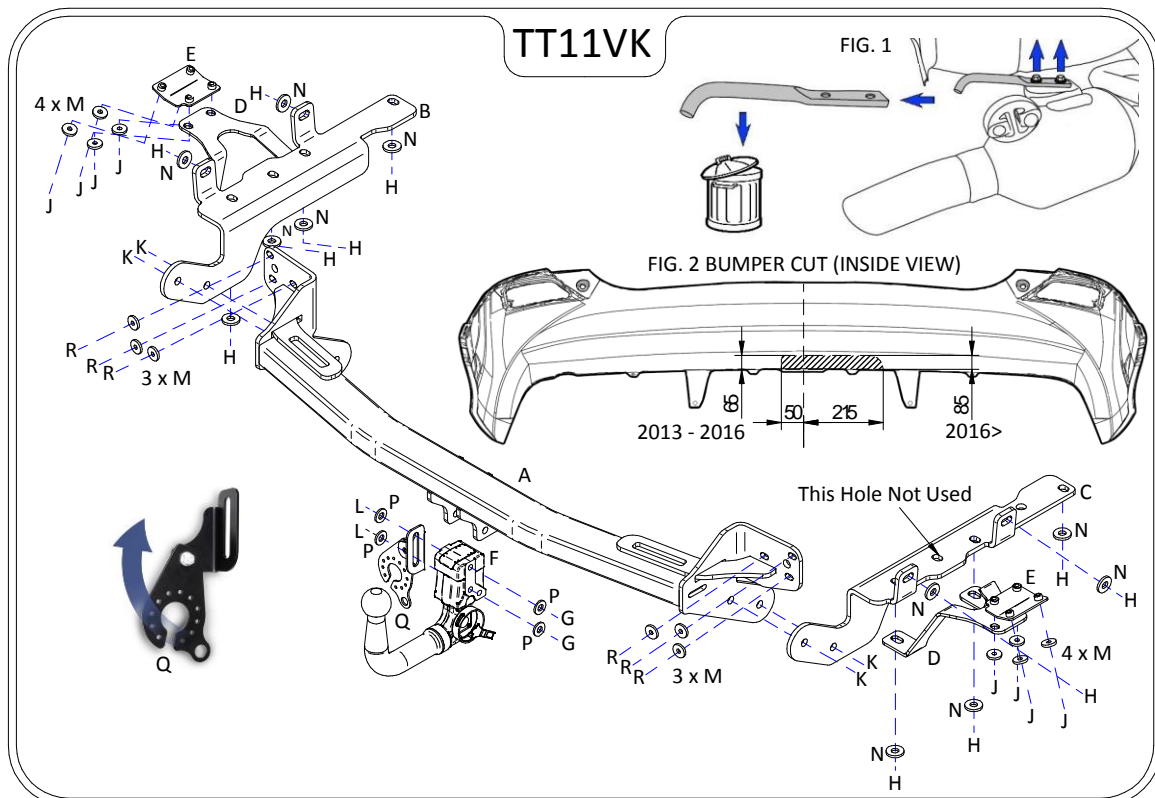
Item	Qty	Description	Item	Qty	Description
A	1	Crossmember	G	2	M12 x 22 Bolts & S/P Washers
B	1	N/S Side Arm	H	11	M12 x 45 x 1.25 Bolts & S/P Washers
C	1	O/S Side Arm	J	8	M8 x 25 Bolts & S/P Washers
D	2	Side Brackets	K	4	M12 x 35 Bolts & Nyloc Nuts
E	2	Handed Clamp Plates	L	2	M12 x 25 Bolts & S/P Washers
F	1	6211 Detachable Housing	M	14	8 x 25 Flat Washers
			N	11	12 x 30 Flat Washers
			P	4	12 x 25 Flat Washers
			Q	1	L/H Flip Up Socket Plate (TTFP/LH)
			R	6	M8 x 35 Bolts & S/P Washers

### BUMPER REMOVAL:

1. Two fixings in each wheel arch, twelve fixings securing the lower edge and under trays and one fixing either side of the boot opening, unplug wiring loom and remove bumper.
2. Remove bumper impact beam. (This is NOT refitted with the Towbar assembly).

### TOWBAR INSTALLATION:

1. Remove the Towing eye from the nearside chassis member. (This is NOT refitted with the Towbar assembly).
2. Remove the bar from the exhaust silencer (Shown in FIG. 1), and remove the silencer from its rubbers.
3. Remove the four rubber grommets each side from the vehicles floor plan.
4. Using Item R with Item M fix Item A to the vehicles rear panel.
5. Using Item H with Item N fix Items B, C & D to each correct chassis member.
6. Slide Items E under the boot interior side panels and align with the four mounting points.
7. Using Items J with Items M fix Items D to Item E and Items E to the vehicles floor plan.
8. Using Item K fix item A to each side arm. (Items B & C).
9. Using Item G with Item P and item L with Item P fix Item F and Item Q to Item A.
10. Fully tighten all fixings ensuring Towbar is rigid, square and secure.
11. Cut the bumper (Shown in FIG.2) and refit along with under trays and rehang the exhaust silencer onto its rubbers.



### Note:

1. Recommended Torque Setting for M12 Grade 10.9 -139 Nm. (For other Torque Settings see notes overleaf.)
2. Nose load limits and vehicle manufacturers trailer / caravan weight limits must be observed.