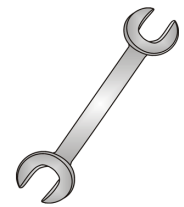




Tow-Trust Towbars

Important: Please read General Notes overleaf before fitting



Issue 10

TSDA2SN-9202 AUDI A3 SPORTBACK 2016> / AUDI Q2 2016> / AUDI A3 CABRIO 2017 / AUDI A3 SALOON 2016> / SEAT LEON 2017> / SKODA OCTAVIA 2013> / SKODA SUPERB 2015> / VOLKSWAGEN ARTEON 2017> / VOLKSWAGEN GOLF EST 2013> / VOLKSWAGEN GOLF ALLTRACK 2015> / VOLKSWAGEN PASSAT 2015> / SEAT LEON ST 2020> / VOLKSWAGEN GOLF 8 2020>

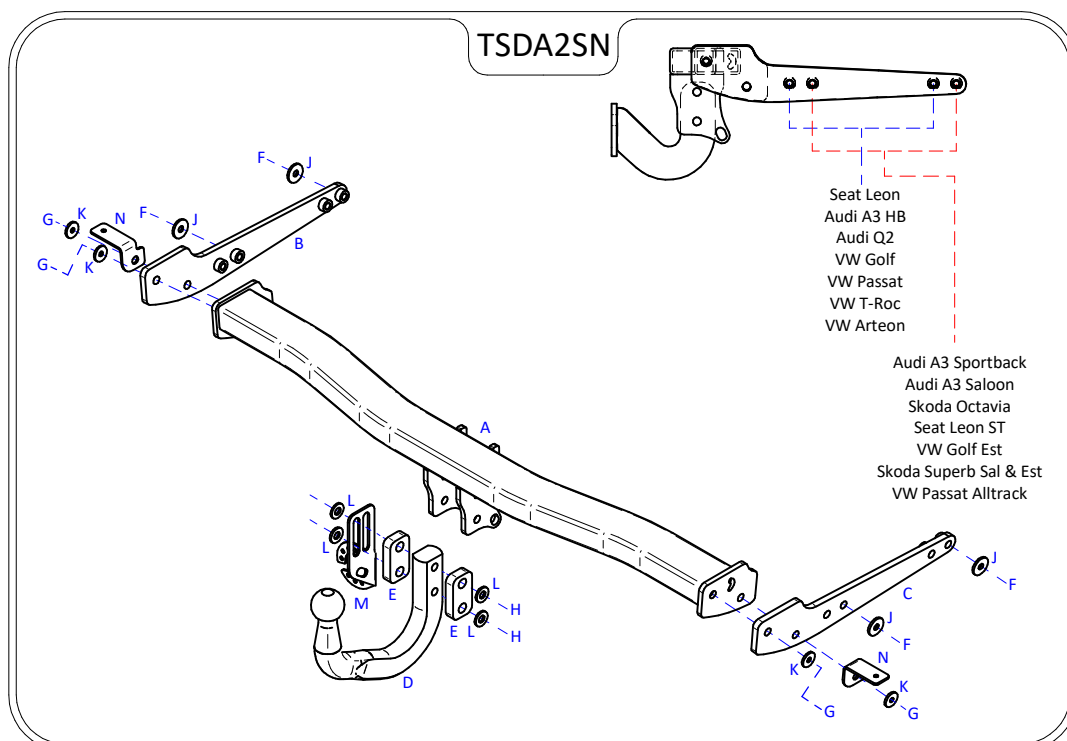
Item	Qty	Description	Item	Qty	Description
A	1	Crossmember	E	2	15mm Spacer Plates
B	1	N/S Side Arm	F	4	M10 x 35 Grade 10.9 Bolts & 4 S/P Washers
C	1	O/S Side Arm	G	4	M10 x 40 Grade 10.9 Bolts, 2 Nuts & 4 S/P Washers
D	1	ACS2 / 9202 Swan Neck	H	2	M12 x 110 Grade 10.9 Bolts & Nyloc Nuts
			J	4	10 x 30 Flat Washers
			K	4	10 x 25 Flat Washers
			L	4	12 x 25 Flat Washers
			M	1	VASP8 L/H Socket Plate
			N	2	Handed Sensor Brackets
			P	2	M6 x 25 Bolts & Nyloc Nuts

BUMPER REMOVAL:

1. Remove the rear light clusters, SKODA: Two fixings found behind black plastic covers, AUDI/SKODA/SEAT/VW: One fixing inside boot.
2. AUDI/SKODA/SEAT/VW: Remove four fixings from each wheel arch. SEAT ONLY: Two fixings under light cluster each side, AUDI ONLY: One fixing under light cluster each side.
3. AUDI/SKODA/SEAT/VW: Remove four fixings along the lower edge, remove the plastic shut panel from inside the boot and remove four fixings through the rear panel. Carefully pull bumper tips from the vehicle then pull bumper rearwards.
4. VW PASSAT: Push plastic latches under light area to release the bumper.
5. Remove the rear impact beam and refit bolts into rear panel. (Beam is NOT refitted with the Towbar assembly).

TOWBAR INSTALLATION:

1. Locate the Towbar mounting points on the outside face of each chassis member, these are usually covered with tape.
2. Insert Item B and Item C into each correct chassis member and fix in place using Items F and Items J.
3. Using Items G with Items K fix Item A between each side arm. (Items B & C). **Note:** Use Item N & P to remount sensors if fitted.
4. Using Items H with items L and Items E fix Item D and Item M to Item A.
5. Fully tighten all fixings to the correct torque settings.
6. Most vehicles come with a pre-cut bumper but if not cut the bumper as illustrated and refit to the vehicle.



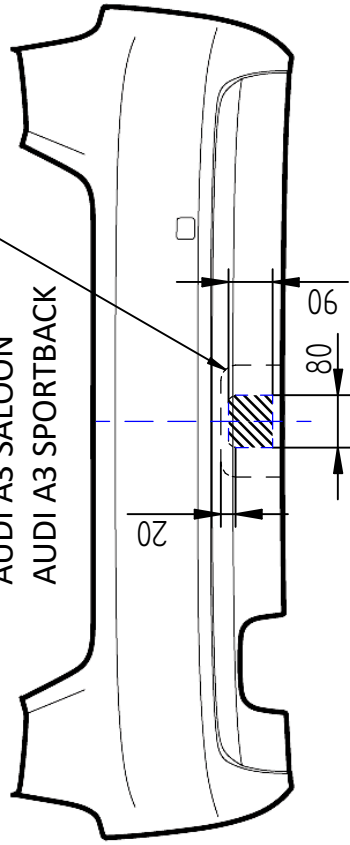
Note:

1. Recommended Torque Setting for M12 Grade 10.9 -130 Nm. (For other Torque Settings see notes overleaf.)
2. Nose load limits and vehicle manufacturers trailer / caravan weight limits must be observed.

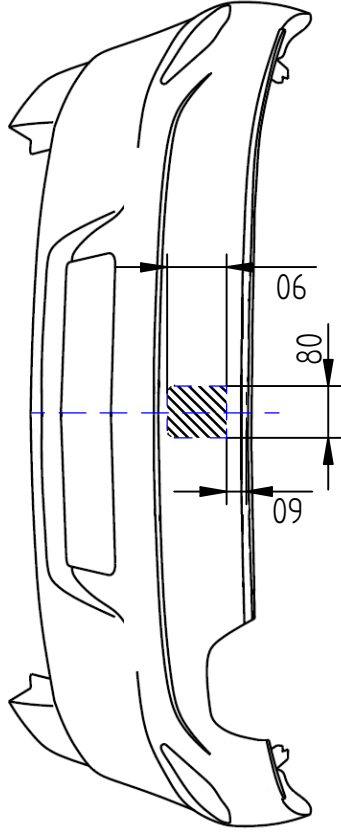
TSDA2SN

PRE MARKED AREA
INSIDE BUMPER

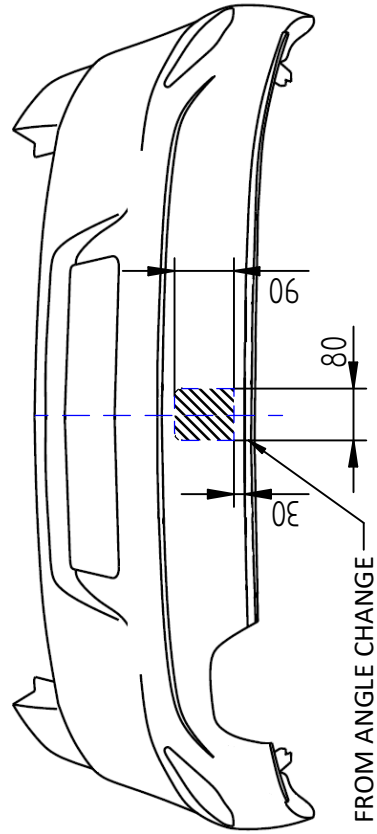
AUDI A3 HATCH
AUDI A3 SALOON
AUDI A3 SPORTBACK



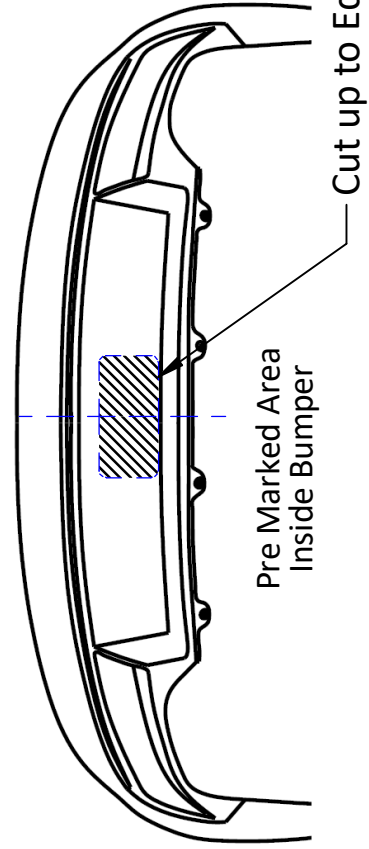
SEAT LEON SC
SEAT LEON ST



SKODA OCTAVIA
VW GOLF EST.
VW PASSAT
VW ARTEON
SKODA SUPERB
T-ROC
AUDI Q2



SEAT LEON
VW GOLF



Pre Marked Area
Inside Bumper

Cut up to Edge