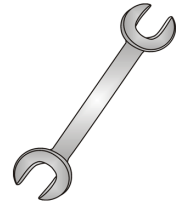




Tow-Trust Towbars

Important: Please read General Notes overleaf before fitting



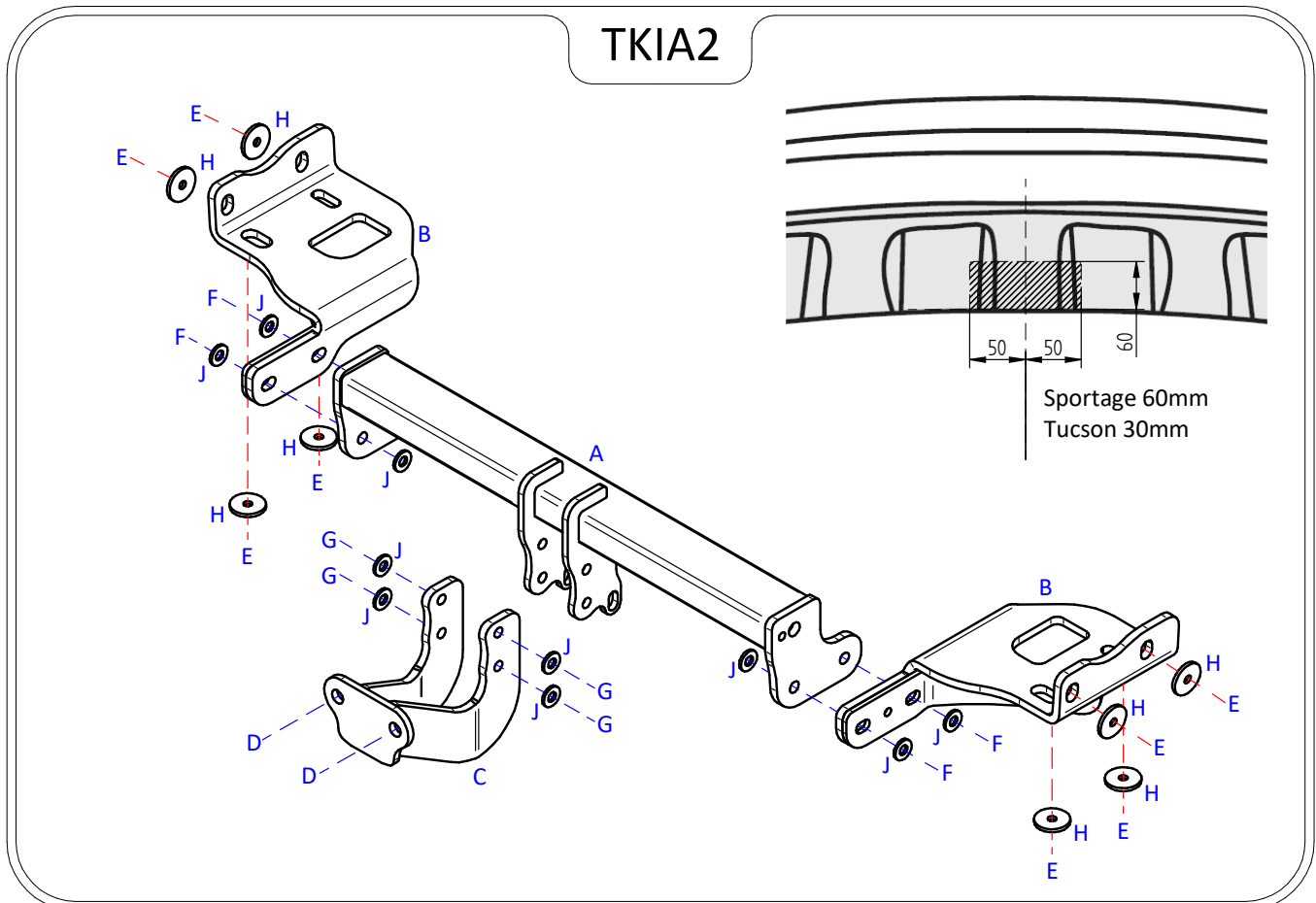
Issue 4

TKIA2 HYUNDAI TUCSON / KIA SPORTAGE

Item	Qty	Description	Item	Qty	Description
A	1	Crossmember	D	2	M16 x 50 Bolts, Nuts & S/P Washers
B	2	Handed Side Arms	E	8	M10 x 35 x 1.25 Bolts & S/P Washers
C	1	Extension	F	4	M12 x 50 Bolts & Nyloc Nuts
			G	4	M12 x 40 Bolts & Nyloc Nuts
			H	8	10 x 40 Flat Washers
			J	12	12 x 25 Flat Washers

TOWBAR INSTALLATION:

1. Remove the exhaust silencer from the rearmost exhaust rubber. Ensure you only remove the rubber from the exhaust leaving the other end attached to the vehicles hanger. (Support to prevent damage).
2. Cut the rear bumper as per below sketch. (Some models may Not require a cut)
3. Using Item E with Item H fix each side arm (Item B) to the vehicles chassis members.
4. Fix the crossmember (Item A) between each side arm using Item F with Item J.
5. Using Item G with Item J fix the extension (Item C) to the crossmember.
6. Using Item D fix your desired ball bracket and wiring plate (not supplied in this kit) to the Towbar face plate.
7. Fully tighten all fixings ensuring the Towbar is rigid, square and secure.
8. Re-hang the exhaust silencer.



Note:

1. Recommended Torque Setting for M12 Grade 10.9 -139 Nm. (For other Torque Settings see notes overleaf.)
2. Nose load limits and vehicle manufacturers trailer / caravan weight limits must be observed.