

TKIA5A Kia Sorrento Mk6 2020> & Hyundai Santa Fe (TMA) 2021>

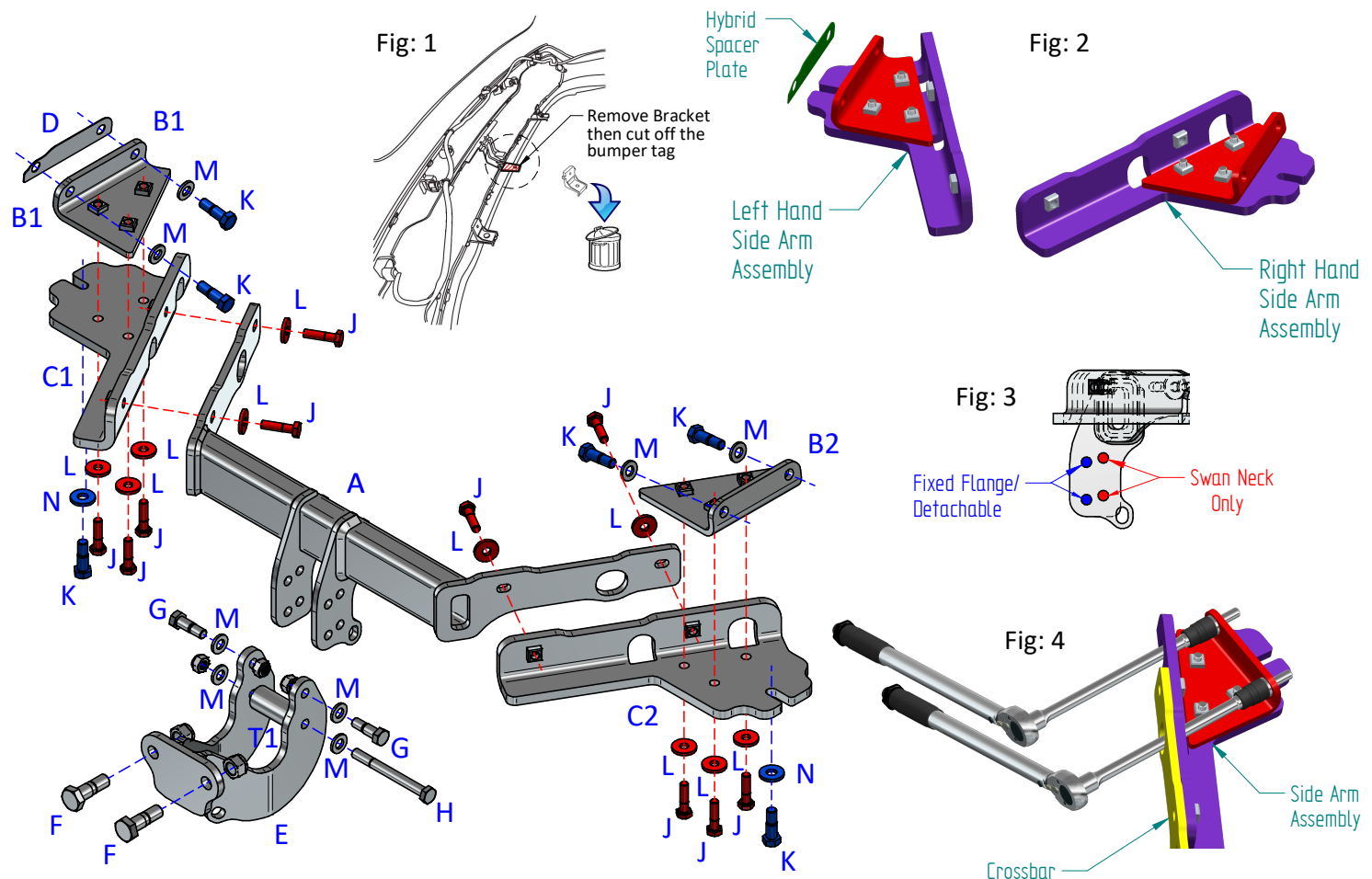
Item	Qty	Description	Item	Qty	Description
A	1	TKIA5A Crossbar	F	2	M16 x 50 Bolts & Nyloc Nuts
B1	1	Left Hand Upper Side Arm Bracket	G	2	M12 x 40 Bolts & Nyloc Nuts
B2	1	Right Hand Upper Side Arm Bracket	H	1	M12 x 120 Bolt (10.9) & Nyloc Nut
C1	1	Left Hand Lower Side Arm	J	10	M10 x 40 Bolts (10.9) & S/P Washers
C2	1	Right Hand Lower Side Arm	K	6	M12 x 40 x 1.25 Bolts & S/P Washers
D	1	Spacer Plate (Hybrid Only)	L	10	10 x 30 Flat Washers
E	1	Extension	M	8	12 x 25 Flat Washers
			N	2	12 x 30 Flat Washers
			T1	1	30mm O/D x 60mm Long Spacer Tube

Preparation For Installation

1. Lower the spare wheel.
2. Remove the central bumper tag from the rear impact beam and discard. Then cut the tag off the bumper. (Fig:1)
3. Lower and support the AdBlue tank.
4. Lower and support the exhaust silencer. **Note:** The rearmost rubber must be removed from the silencer and not the vehicle.

Towbar Installation.

1. Using Items J with Items L fit Item B1 to Item C1 and Item B2 to Item C2 creating side arm assemblies. (Fig:2)
2. Loosely fit Item K with Item N a couple of turns into each chassis vertical mounting point this will be used to slide the side arm on and support.
3. Using Items K with Items M loosely fit the side arm assemblies to each chassis member. (Fig:4) **Hybrid Models:** Item D must be fitted (Fig:2)
4. Fix Item A to the side arm assemblies and using Items J with Items L.
5. Fix Item E to Item A using Items G with Items M and Item H with Items M to the correct position (Fig:3) ensuring Item T1 is fitted between the lower mounting point.
6. Using Item F fix your desired ball bracket and wiring plate (Not supplied in this kit) to Item E.
7. Fully tighten all fixings ensuring the Towbar is rigid, square and secure. (Using Fig:4)
8. Raise the spare wheel.



Notes:

1. For Torque settings see general notes overleaf.
2. Nose load limits and vehicle manufacturer's trailer / caravan weight limits must be observed.