



Tow-Trust Towbars

Important: Please read General Notes overleaf before fitting
Issue: 1



TPUG16SN-9201 PEUGEOT 208 2020> / VAUXHALL CORSA 2019>

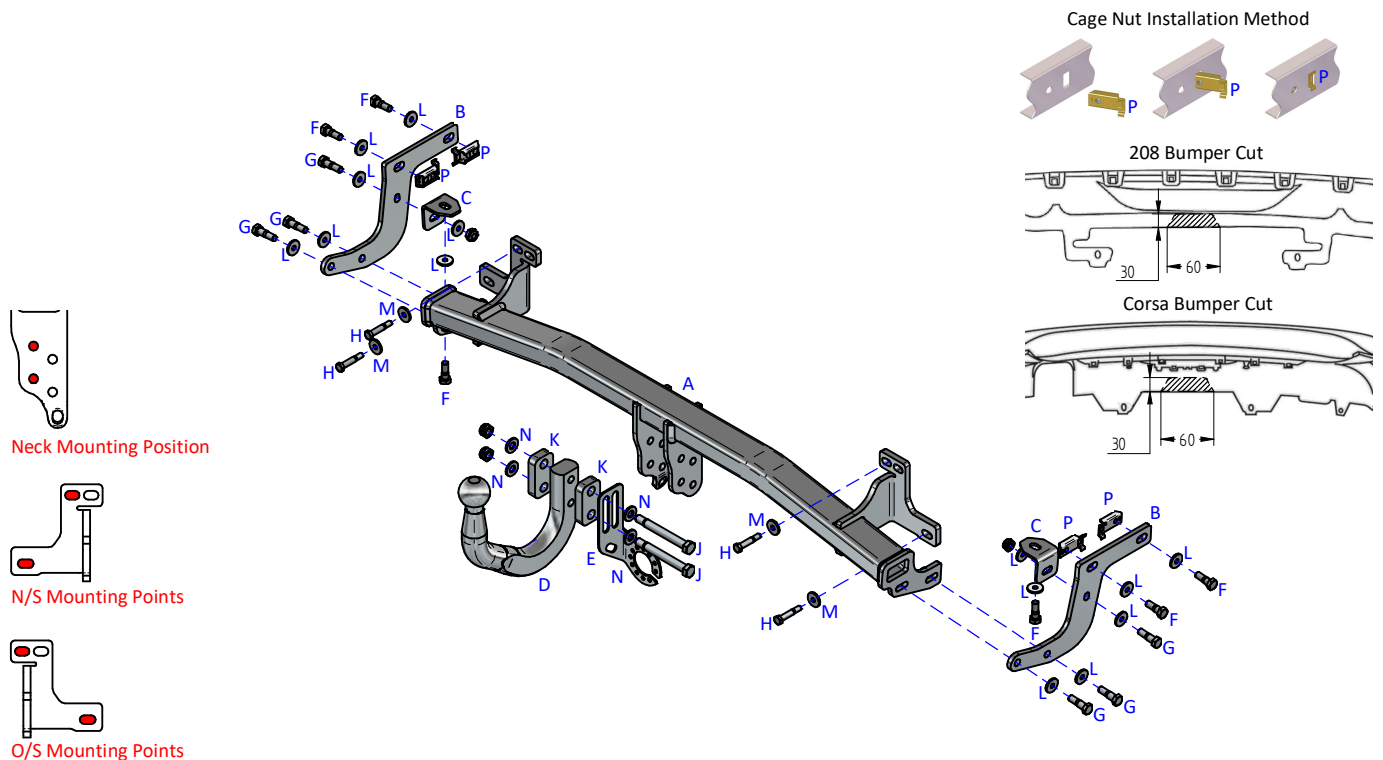
Item	Qty	Description	Item	Qty	Description
A	1	TPUG16 Crossmember	E	1	VASP8 R/H Socket Plate
B	2	Side Arms	F	6	M10 x 30 Bolts & S/P Washers
C	2	Angle Baskets	G	6	M10 x 35 Bolts & Nyloc Nuts
D	1	ACS1 / 9201 Swan Neck	H	4	M8 x 35 (10.9) Bolts & S/P Washers
			J	2	M12 x 110 Grade 10.9 Bolts & Nyloc Nuts
			K	2	15mm Spacer Plates
			L	18	10 x 25 Flat Washers
			M	4	8 x 25 H/D Flat Washers
			N	4	12 x 25 Flat Washers
			P	4	Small M10 Cage Nuts (Metal)

BUMPER REMOVAL:

1. Open the rear tailgate, remove the rear light clusters, one fixing found inside boot area each side, **208**: remove four fixings from each wheel arch / **Corssa**: remove three fixings from each wheel arch. Remove eight fixings from the bumper lower edge, carefully pull bumper tips sideways then carefully release from around each light cluster area, pull rearward to finally release the bumper from the vehicle body. Unplug any necessary wiring looms.

TOWBAR INSTALLATION:

1. Locate the Towbar mounting points on the outside and lower face of each chassis (these will be covered with tape), clean the chassis faces then insert Items **P** into the outside face mounting points.
2. Remove the inner and lower mounting points securing the rear impact beam to the vehicle, Using Item **H** with Item **M** fix Item **A** to the rear panel sandwiching the rear impact beam.
3. Fix Items **C** to the lower face of each chassis member using Item **F** and Item **L**.
4. Fix Items **B** to the outside face of each chassis member using Item **F** and Item **L**.
5. Fix Items **B** to Items **C** and Item **A** using Items **G** and Items **L**.
6. Using Item **J** with Item **N** and Item **K** fix item **D** and Item **E** to Item **A**.
7. Fully tighten all fixings ensuring the Towbar is rigid, square, and secure.
8. Cut the rear bumper as shown below and refit.



Notes:

1. For Torque settings see general notes overleaf.
2. Nose load limits and vehicle manufacturer's trailer / caravan weight limits must be observed.