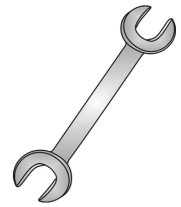




Tow-Trust Towbars

Important: Please read General Notes overleaf before fitting



Issue 5

TM18 MERCEDES GLC

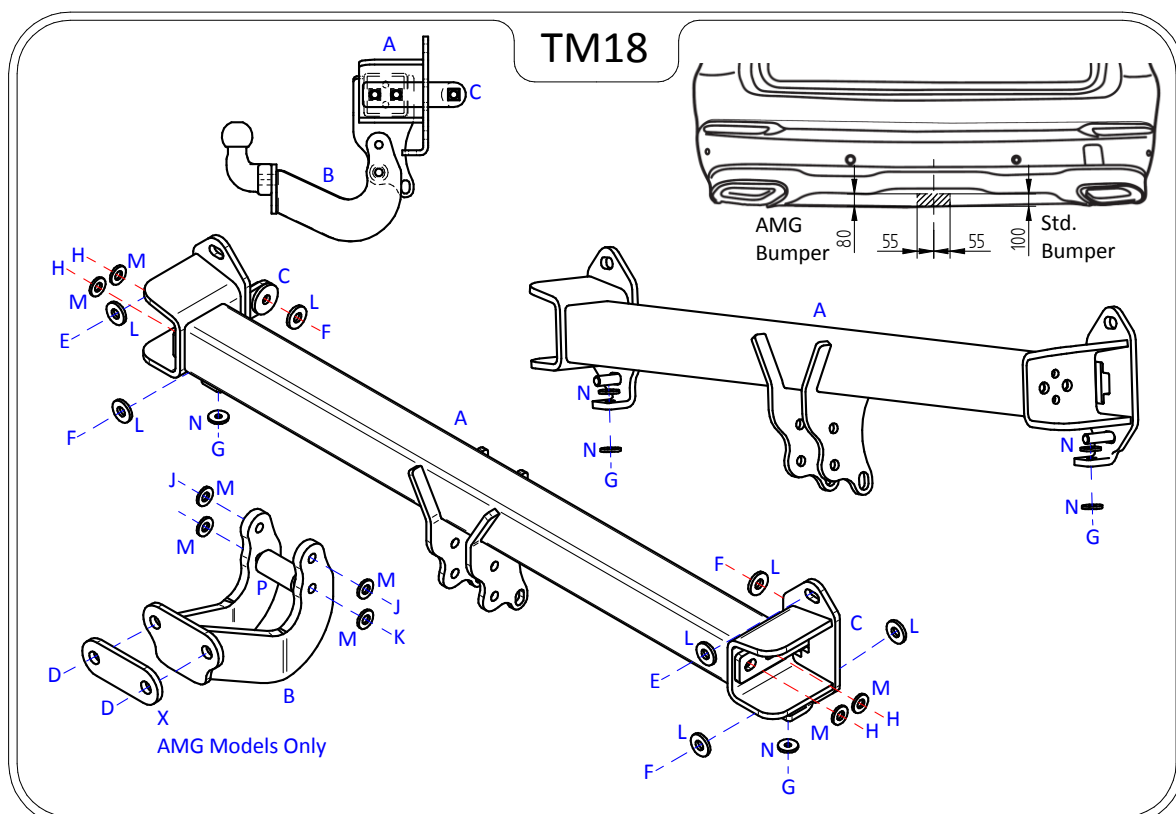
Item	Qty	Description	Item	Qty	Description
A	1	TM18 Crossmember	D	2	M16 x 50 Bolts & Nyloc Nuts
B	1	Extension	E	2	Original Nuts
C	2	Side Arms	F	4	M12 x 40 Bolts, 2 Nyloc Nuts & 2 S/P Washers
X	1	Coupling Spacer (AMG Models ONLY)	G	2	M8 x 40 Bolts & Nyloc Nuts
			H	4	M12 x 35 Bolts & S/P Washers
			J	2	M12 x 40 Bolts & Nyloc Nuts
			K	1	M12 x 130 (10.9) Bolt & Nyloc Nut
			L	8	12 x 30 Flat Washers
			M	8	12 x 25 Flat Washers
			N	4	8 x 25 Flat Washers
			P	1	30mm O/D Spacer Tube 60mm Long

BUMPER REMOVAL:

1. First remove the rear light clusters, three fixing found inside boot area.
2. Remove the rear bumper, four fixing located through the rear panel inside the boot area, seven fixings on the bumpers lower edge, five fixing in each wheel arch, carefully release the bumper from the vehicle body.
3. Remove the two vertical fixings from the rear impact beam, one securing the exhaust the other securing AdBlue tank.
4. Remove the rear impact beam (this is not refitted with the Towbar assembly).

TOWBAR INSTALLATION:

1. Using Item E with Item L and Item F with Item L fix Item A to the rear panel. (Always ensure the original gaskets are between Item A and the rear panel, we also advise an adequate sealant to be added around the Towbar and rear panel joints to stop water ingress).
2. Using Item G with Item N refit exhaust and AdBlue tank to Item A.
3. Insert Items C through the Towbar endplates and secure to the vehicle with Item F and Item L. (Mounting point located in boot area).
4. Using Item H with Item M fix Item C to Item A. (Seal gap between Item A and Item C with an adequate sealant)
5. Using Item J with Item M and Item K with Item M fix Item B to Item A ensuring Item P is fitted between the lower mounting point.
6. Using Item D fix your desired ball bracket and wiring plate (Not supplied in this kit) to Item B.
7. Fully tighten all fixings ensuring the Towbar is rigid, square and secure.
8. Cut the rear bumper as per the sketch below and refit. (**Note:** be careful not to cut into the wiring loom or the copper encased strip running across the bumper, both will need removing before the cut is made then refitting higher with a sufficient adhesive)



Note:

1. Recommended Torque Setting for M12 Grade 10.9 -139 Nm. (For other Torque Settings see notes overleaf.)
2. Nose load limits and vehicle manufacturers trailer / caravan weight limits must be observed.