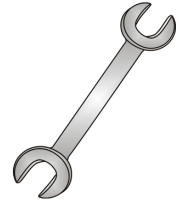




Tow-Trust Towbars

Important: Please read General Notes overleaf before fitting



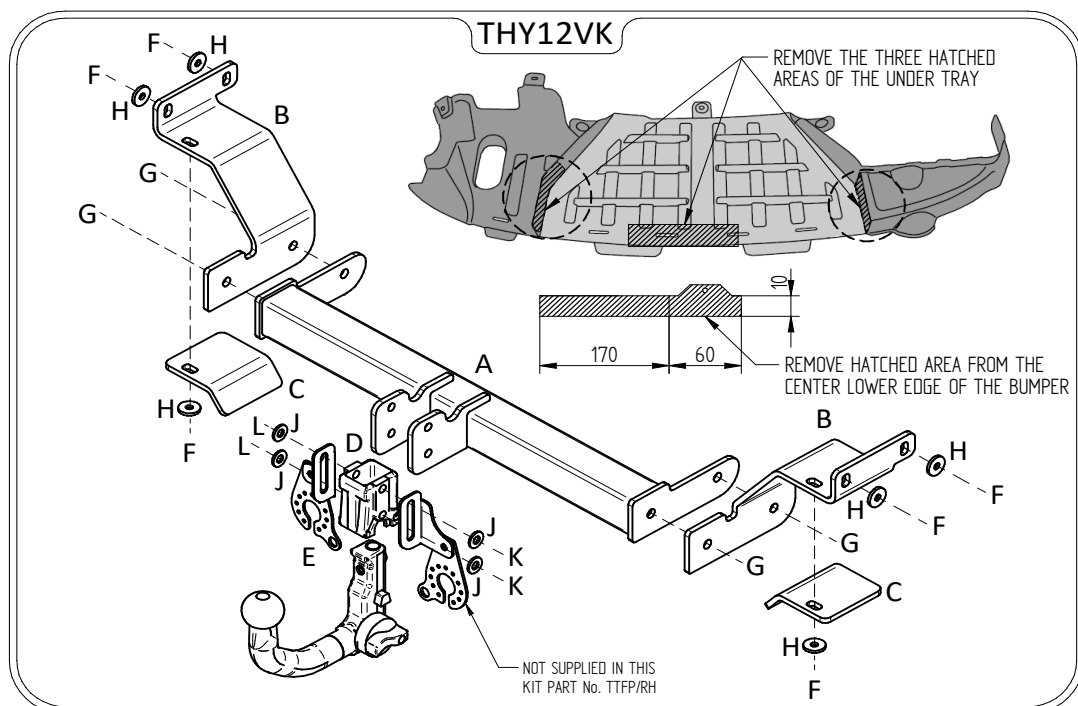
Issue 3

THY12VK HYUNDAI i30 2012> KIA CEE'D 2012>

Item	Qty	Description	Item	Qty	Description
A	1	Crossmember	E	1	Flip Up Socket Plate
B	2	Handed Side Arms	F	6	M10 x 40 x 1.25 Bolts & S/P Washers
C	2	Handed Clamp plates	G	4	M12 x 40 Bolts, 2 Nyloc Nuts & 2 S/P Washers
D	1	Detachable Housing	H	6	10 x 25 Flat Washers
			J	4	12 x 25 Flat Washers
			K	2	M12 x 22 Bolts & S/P Washers
			L	2	M12 x 25 Bolts & S/P Washers

TOWBAR INSTALLATION:

1. Remove the rear under tray, 10 Fixings. (The under tray can be trimmed as seen in sketch below then refitted after the Towbar Installation is complete or handed back to the customer).
2. Remove the Towing eye from the N/S chassis member. (Hand back to customer).
3. Identify Towbar mounting points and ensure chassis faces and threads are all clean and under seal free.
4. Cut the central bumper tag and remove central bumper bracket.
5. Hold up the o/s side arm (Item B) to the chassis member, mark the top plastic tray above exhaust and if necessary trim plastic to suit side arm.
6. Using Item F with Item H bolt Items B and Item C to each correct chassis member.
7. Using Item G bolt Item A between the side arms (Item B).
8. Using Item K with Item J and Item L with Item J bolt Item D and Item E to Item A.
9. Fully tighten all nuts and bolts ensuring Towbar is rigid square and secure.
10. Refit under tray if required.



Note:

1. Recommended Torque Setting for M12 Grade 10.9 -139 Nm. (For other Torque Settings see notes overleaf.)
2. Nose load limits and vehicle manufacturers trailer / caravan weight limits must be observed.