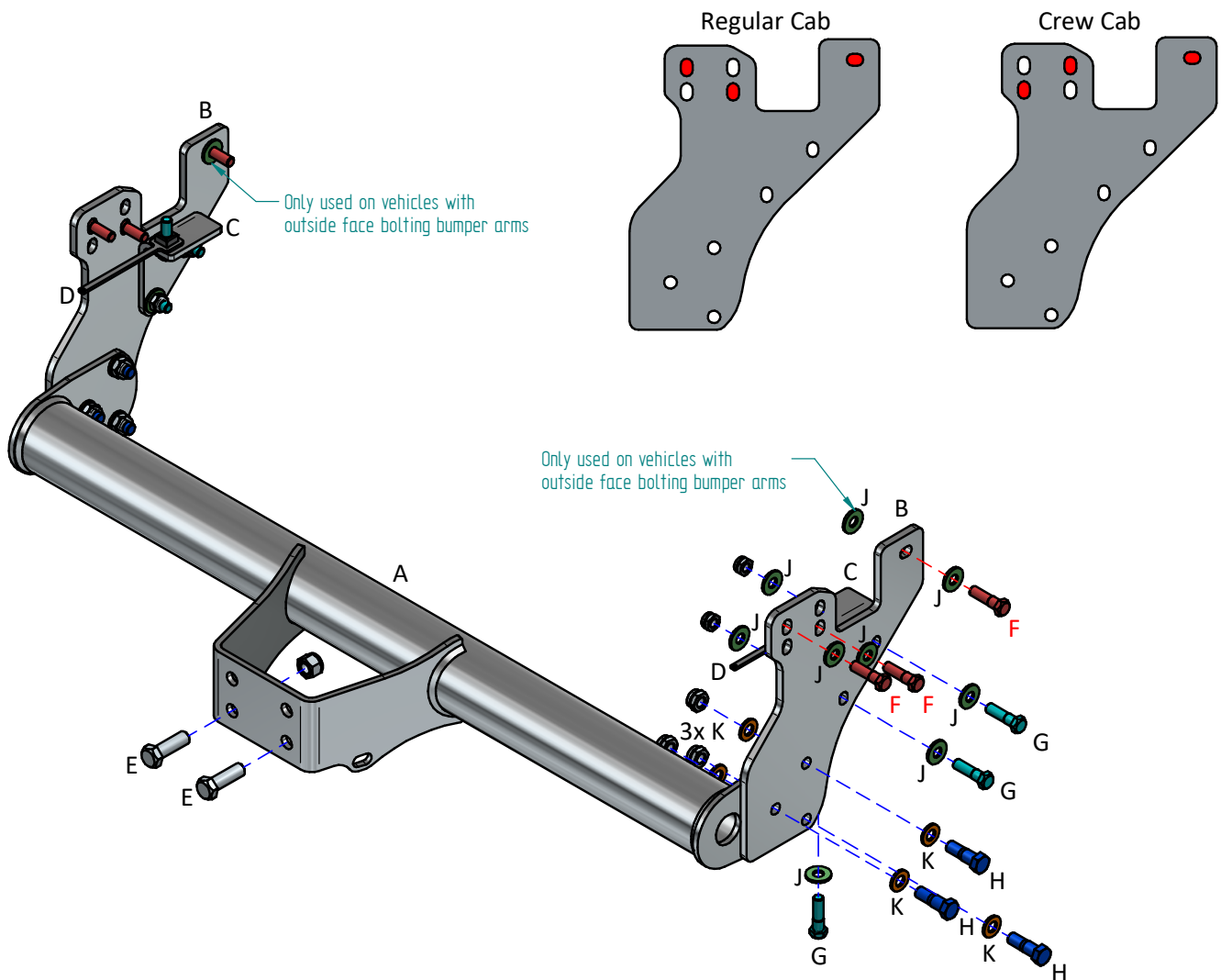


TIZ7 ISUZU D MAX 2021>

Item	Qty	Description	Item	Qty	Description
A	1	TIZ7 Crossmember	E	2	M16 x 50 Bolts & Nyloc Nuts
B	2	Side Arms	F	6	M12 x 40 x 1.25 (10.9) Bolts & S/P Washers
C	2	Handed Angle Brackets	G	6	M12 x 45 (10.9) Bolts, 4 Nyloc Nuts & 2 S/P Washers
D	2	M12 Clamp Plates	H	6	M14 x 45 Bolts & Nyloc Nuts
			J	18	12 x 30 Flat Washers
			K	12	14 x 27 Flat Washers

TOWBAR INSTALLATION:

- Using Item F with Item J fix Items B to each chassis member (outside face). (Models with bumper arms that bolt to the outside face of each chassis, remove original fixings and discard, fit Items B as per instruction using the additional Item J as a spacer at the forwardmost point only).
- Insert Items D into the open ends of each chassis and line up with the vertical mounting points.
- Using Item G with Item J fix items C to Items B and to the vertical chassis mounting points.
- Fix Item A between each side arm using Items H and items K.
- Using Item E fix you desired ball bracket and wiring plate (not supplied in this kit) to Item A.
- Fully tighten all fixings ensuring the Towbar is rigid, square and secure.



Notes:

- For Torque settings see general notes overleaf.
- Nose load limits and vehicle manufacturer's trailer / caravan weight limits must be observed.