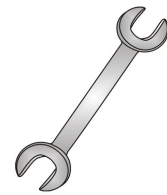




Tow-Trust Towbars

Important: Please read General Notes overleaf before fitting



Issue 5

TM19VK MERCEDES C-CLASS (AMG Style Only) 2014> / E-CLASS (Inc. AMG Style) 2016>

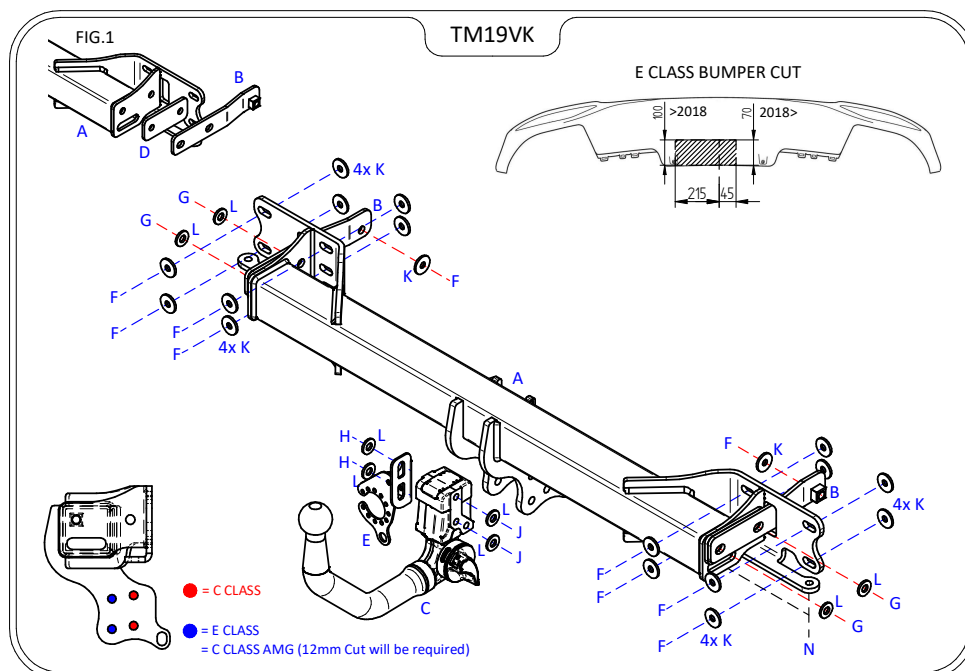
Item	Qty	Description	Item	Qty	Description
A	1	Crossmember	E	1	Flip Up Socket Plate (TTFP/LH)
B	2	Handed Side Arms	F	10	M10 x 35 Bolts (10.9), 8 Nyloc Nuts & 2 S/P Washers
C	1	6232 Detachable Neck	G	4	M12 x 40 Bolts, 2 Nyloc Nuts & 2 S/P Washers
D	2	Spacer Plates (E-Class Only)	H	2	M12 x 25 Bolts & S/P Washers
			J	2	M12 x 25 Bolts & S/P Washers
			K	18	10 x 30 Flat Washers
			L	8	12 x 25 Flat Washers
			N	2	M8 Nyloc Nuts & 8 x 20 Flat Washers (C-Class Only)

BUMPER REMOVAL:

1. Remove the boot interior trim.
2. Remove the rear light clusters, three fixings found inside the vehicle.
3. Remove seven fixings along the lower edge, three fixings securing each wheel arch liner, two fixings behind each wheel arch liner and one tip fixing either side.
4. Remove four fixings through the rear panel found inside the vehicle.
5. Release the bumper from the vehicle starting at bumper tips then rearward ensuring any wiring looms are disconnected.
6. **C-Class Only** Remove the two vertical fixings securing the AdBlue tank to the rear impact beam. (Support to prevent damage)
7. **E-Class Only** Remove the two fixings securing the AdBlue tank to the vehicle. (Support to prevent damage)
8. **C-Class & E-Class** Remove the rear impact beam from the rear panel. (Impact beam is not refitted with Towbar assembly)

TOWBAR INSTALLATION:

1. Using Item F with Item K fix Item A to the rear panel. (Always ensure the original gaskets are between Item A and the rear panel, we also advise an adequate sealant to be added around the Towbar and rear panel joints to stop water ingress).
2. Insert Items B through the Towbar end plates and secure to the inside face of each chassis member with Items F and Items K.
3. Using Items G and Items L fix Items B to Item A. **Note: E-Class only** will require spacer plates (Item D) to be fitted SEE FIG.1.
4. **C-Class Only** Using Item N fix the AdBlue tank back to Item A.
5. Using Item H with Item L and Item J with Item L fix Item C and Item E to Item A.
6. Fully tighten all fixings ensuring the Towbar is rigid, square and secure.
7. **E-Class Only** Refit the AdBlue tank.
8. **E-Class Only** Cut the rear bumper as per the sketch below. 2018> Models will require the under tray to be trimmed 25mm deep. **Note: C-Class AMG Style** Trim the inner plastic inside the bumper: method, carefully fit bumper and mark area that touches the two central Towbar flanges, remove bumper and trim.
9. Refit the rear bumper, light clusters and boot interior trim.



Note:

1. Recommended Torque Setting for M12 Grade 10.9 -130 Nm. (For other Torque Settings see notes overleaf.)
2. Nose load limits and vehicle manufacturers trailer / caravan weight limits must be observed.