



Tow-Trust Towbars

Important: Please read General Notes overleaf before fitting
Issue: 3



Fitting
Instruction

TLAN9 Discovery Sport 5 & 7 Seater Vehicles WITHOUT underslung spare wheel 2019>

Item	Qty	Description	Item	Qty	Description
A	1	TLAN9 Crossmember	D	2	M16 x 55 Bolts & Nyloc Nuts
A1	1	Exhaust Hanger	E	8	M14 x 110 Bolts & S/P Washers
B1	1	L/H Side Arm	F	8	M12 x 40 (10.9) Bolts & S/P Washers
B2	1	R/H Side Arm	G	4	M12 x 35 (10.9) Bolts & S/P Washers
C	1	Extension	H	2	M12 x 45 (10.9) Bolts & Nyloc Nuts
			J	1	M12 x 130 (10.9) Bolt & Nyloc Nut
			K	2	M8 x 40 Bolts & Nyloc Nuts
			L	3	M8 x 30 Bolts & 1 Nyloc Nut
			M	8	14 x 27 Flat Washers
			N	8	12 x 30 Flat Washers
			P	4	M12 Belleville Disk Spring Washers
			R	4	12 x 25 Flat Washers
			S	6	8 x 25 Flat Washers
			T1	8	25mm O/D x 65mm Long Spacer Tube
			T2	1	30mm O/D x 60mm Long Spacer Tube
			Z	2	Original Bumper Brackets (From Impact Beam)
			Z1	4	Original Bumper Bracket Fixings

BUMPER REMOVAL:

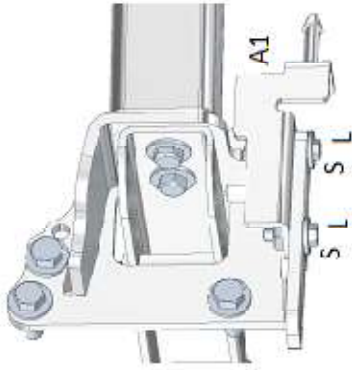
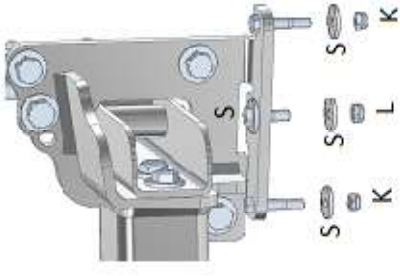
1. Remove the rear light clusters, one fixing found inside the boot behind each removable side panel.
2. Remove the bumper central cover, two fixings on the lower edge & carefully release from the main bumper this will reveal four fixings to remove. Remove two fixings in each light cluster area, unclip wheel arch trim to reveal one fixing, remove two fixings from wheel arch liner. Unplug the bumper wiring loom from behind O/S inner wheel arch lining then carefully remove the rear bumper from the body.
3. Models with two exhaust silencers: Lower exhaust on N/S by removing the rubber off the impact beam, O/S remove exhaust bracket from impact beam two fixings, remove forward most hangers from vehicle body. Remove heat shields.
4. Models with single transverse exhaust silencer: Lower and support exhaust silencer by removing the rubbers off the rearmost and forward most hangers. Remove heat shield and under tray.
5. AdBlue Models: Lower exhaust silencer by removing the rubber off the impact beam and remove forward most hanger from vehicle body. Remove heat shield.
6. AdBlue Models: Remove tank protection cover three fixings, then lower & support Ad-Blue tank by removing the four fixings, two on the body and two on the crash beam.
7. If fitted remove the sensor from the rear impact, this gets fitted with its original fixings directly to the centre of the vehicle above the impact beam.
8. Remove the impact beam, six fixings (This is not refitted with the Towbar assembly). Remove bumper brackets from the impact beam (Item Z) and retain along with fixings (Item Z1).
9. Remove the Towing Eye mount from the O/S chassis. (This is not refitted with the Towbar assembly.)

TOWBAR INSTALLATION:

1. Place Item A against the rear panel and fix in place using Items F and Items N.
2. Assemble each side arm (Items B1 & B2) by inserting Items T1 into each hole then insert into open ends of each chassis member loosely fixing in place with Items E and Items M.
3. Fix Items B1 & B2 to Item A using Items G with Items P.
4. Fix Items Z (original bumper brackets from impact beam) to Item A using original fixings (Items Z1).
5. Fix Item C to Item A using Items H with Items R and Item J with Item R ensuring Item T2 is fitted between the lower mounting point.
6. Using Item D fix your desired ball bracket and wiring plate (not supplied in this kit) to Item C.
7. Fully tighten all fixings ensuring the Towbar is rigid, square and secure.
8. Refit heat shields.
9. Cut the under tray as per the sketch on page 2 and refit.
10. AdBlue Models: Using Item K with Item S and Item L with Item S refit AdBlue tank to Item A.
11. Using Item L with Item S fix Item A1 to Item A.
12. Models with two exhaust silencers: Using Item L with Item S fix Item A1 to Item A for the N/S exhaust hanger, Using Item K with Item S fix the original exhaust hanger from the impact beam to Item A for the O/S exhaust hanger.
13. Rehang Exhaust silencers.
14. Refit the rear bumper, light clusters.

Notes:

1. For Torque settings see general notes overleaf.
2. Nose load limits and vehicle manufacturer's trailer / caravan weight limits must be observed.



UNDER TRAY CUT

