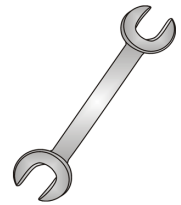




Tow-Trust Towbars

Important: Please read General Notes overleaf before fitting



Issue 2

TLAN8VK Range Rover Evoque (L551) 2019> / Jaguar E Pace (X540) 2017>

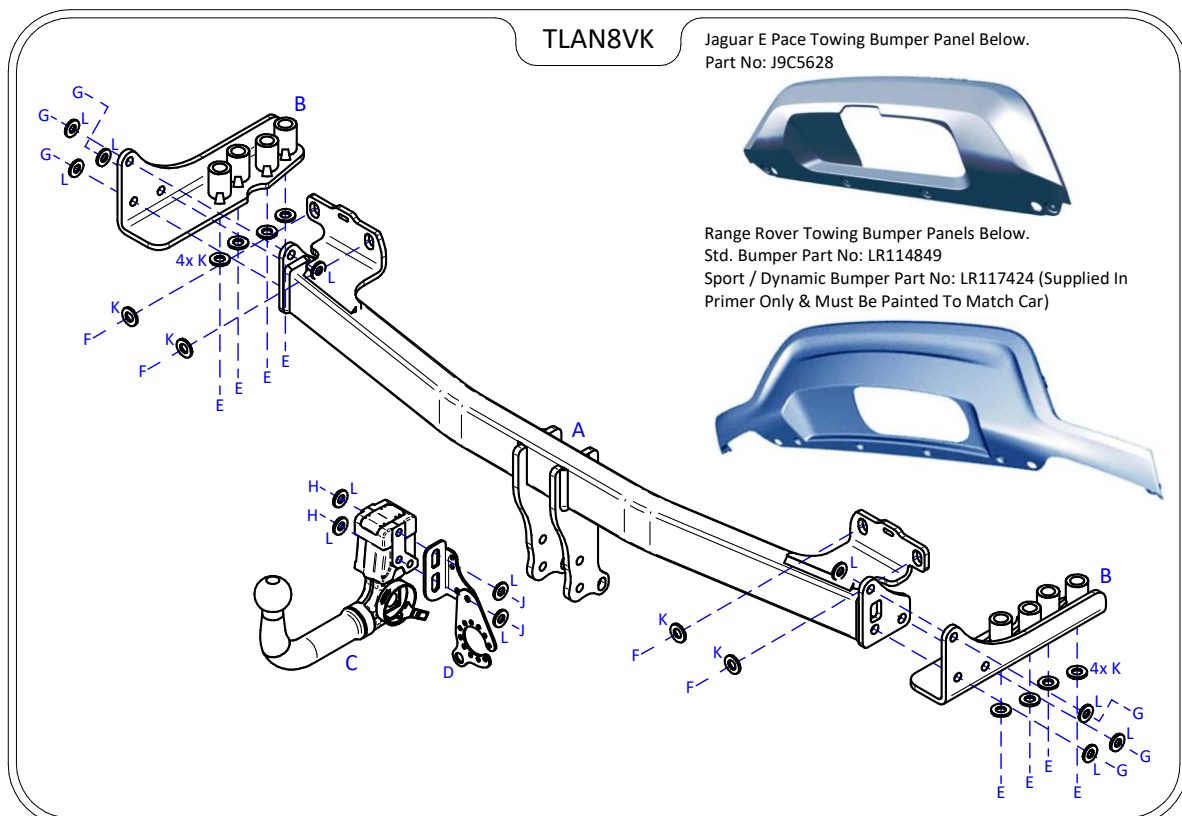
Item	Qty	Description	Item	Qty	Description
A	1	TLAN8 Crossmember	D	1	Flip Up Socket Plate (TTFP/RH)
B	2	Handed Side Arms	E	8	M14 x 90 Bolts & S/P Washers
C	1	6216 Detachable Neck	F	4	M14 x 45 Bolts & S/P Washers
			G	6	M12 x 40 (10.9) Bolts, 2 Nyloc Nuts & 4 S/P Washers
			H	2	M12 x 25 Bolts & S/P Washers
			J	2	M12 x 25 Bolts & S/P Washers
			K	12	14 x 27 Flat Washers
			L	12	12 x 25 Flat Washers

BUMPER REMOVAL:

- Both Models:** Remove two fixings from the bumper lower edge, remove inner light cluster trim to reveal one fixing to remove.
E Pace Only: Remove one fixing either side of lower boot opening. Carefully release wheel arch trim to reveal two fixings to remove, remove two fixings from wheel arch liner either side, unplug PDC from behind wheel arch. **Evoque Only:** Remove three fixings in each wheel arch, peel back wheel arch liner to reveal two fixings to remove, unplug PDC. **Both Models:** Carefully release the rear bumper from the body starting at the bumper tips then pull rearwards, the rear panel clips can be very tight to release so take care.
- Evoque Only:** Remove the silver bumper brackets and retain brackets and fixings, these are refitted later with the Towbar assembly, these are mounted either side above the rear impact beam mounts.
- Both Models:** Remove the rear impact beam and discard.
- Evoque Only:** Remove and discard the Towing eye from the N/S chassis.

TOWBAR INSTALLATION:

- Insert Items **B** into each chassis member and loosely fix in place using Items **E** and Items **K**.
- Loosely Fix Item **A** to the rear panel using Items **F** and Items **K**. Using Items **G** with Items **L** fix Items **B** to Item **A**.
- Using Item **H** with Item **L** and Item **J** with Item **L** fix Item **C** and Item **D** to Item **A**.
- Fully tighten all fixings ensuring the Towbar is rigid, square and secure.
- Remove the centre section from the rear bumper and replace with the OEM Tow Panel. (Jaguar E Pace will require a cut to the pre marked area on the inner bumper skin to line up with OEM panel), refit complete bumper to vehicle **Note Evoque Only:** will require the silver bumper brackets refitting sandwiching the Towbar against the rear panel.



Note:

- Torque Settings see notes overleaf.
- Nose load limits and vehicle manufacturers trailer / caravan weight limits must be observed.