

TLAN12SN Range Rover Evoque (L551) 2019>

| Item | Qty | Description | Item | Qty | Description |
|------|-----|-----------------------|------|-----|---|
| A | 1 | TLAN12 Crossmember | D | 1 | VASP8 L/H Socket Plate |
| B | 2 | Handed Side Arms | E | 8 | M14 x 90 Bolts & S/P Washers |
| C | 1 | ACS2 / 9202 Swan Neck | F | 4 | M14 x 40 Bolts & S/P Washers |
| | | | G | 6 | M12 x 40 (10.9) Bolts, 2 Nyloc Nuts & 4 S/P Washers |
| | | | H | 2 | 15mm Spacer Plates |
| | | | J | 2 | M12 x 110 Grade 10.9 Bolts & Nyloc Nuts |
| | | | K | 12 | 14 x 27 Flat Washers |
| | | | L | 12 | 12 x 25 Flat Washers |

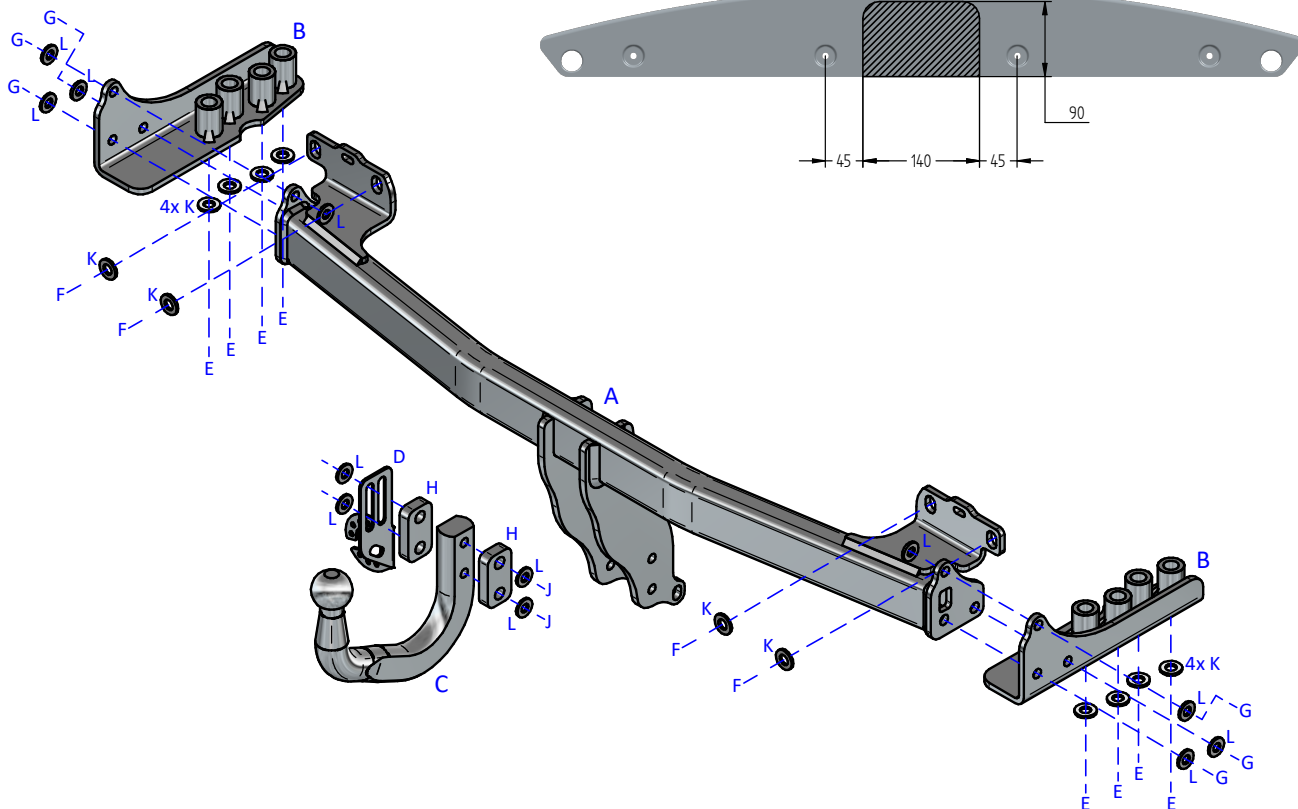
BUMPER REMOVAL:

1. Remove two fixings from the lower edge, remove inner light cluster trim carefully pulling rearwards to reveal one fixing to remove. Remove three fixings in each wheel arch, peel back wheel arch liner to reveal two fixings to remove, carefully release the rear bumper from the body starting at the bumper tips then pull rearwards, the rear panel clips can be very tight to release so take care, unclip any necessary wiring looms
2. Remove the silver bumper brackets and retain brackets and fixings, these are refitted later with the Towbar assembly, these are mounted either side above the rear impact beam mounts.
3. Remove the rear impact beam and discard.
4. Remove left hand heat shield/bumper bracket one fixing, lower Exhaust by removing six fixings across three brackets, remove the metal shield from the AdBlue tank six fixings, remove the heat shield from under the left hand chassis five fixings, remove four fixings to lower AdBlue tank and carefully support.
5. Remove and discard the towing eye from the N/S chassis and the chassis reinforcement from the O/S chassis if fitted.

TOWBAR INSTALLATION:

1. Insert Items B into each chassis member and loosely fix in place using Items E and Items K.
2. Loosely Fix Item A to the rear panel using Items F and Items K. Using Items G with Items L fix Items B to Item A. (It may be necessary on some models to trim the heat shield to avoid contact with the central design)
3. Using Item J with Item L and Item H fix Item C and Item D to Item A.
4. Fully tighten all fixings ensuring the Towbar is rigid, square and secure.
5. Cut the rear bumper as shown below and refit along with fixing AdBlue tank back into its original position and refit all heat shields.

Bumper Cut Details Below



Notes:

1. For Torque settings see general notes overleaf.
2. Nose load limits and vehicle manufacturer's trailer / caravan weight limits must be observed.