



TFD22VK FORD PUMA 2019> (Inc. ST-LINE)

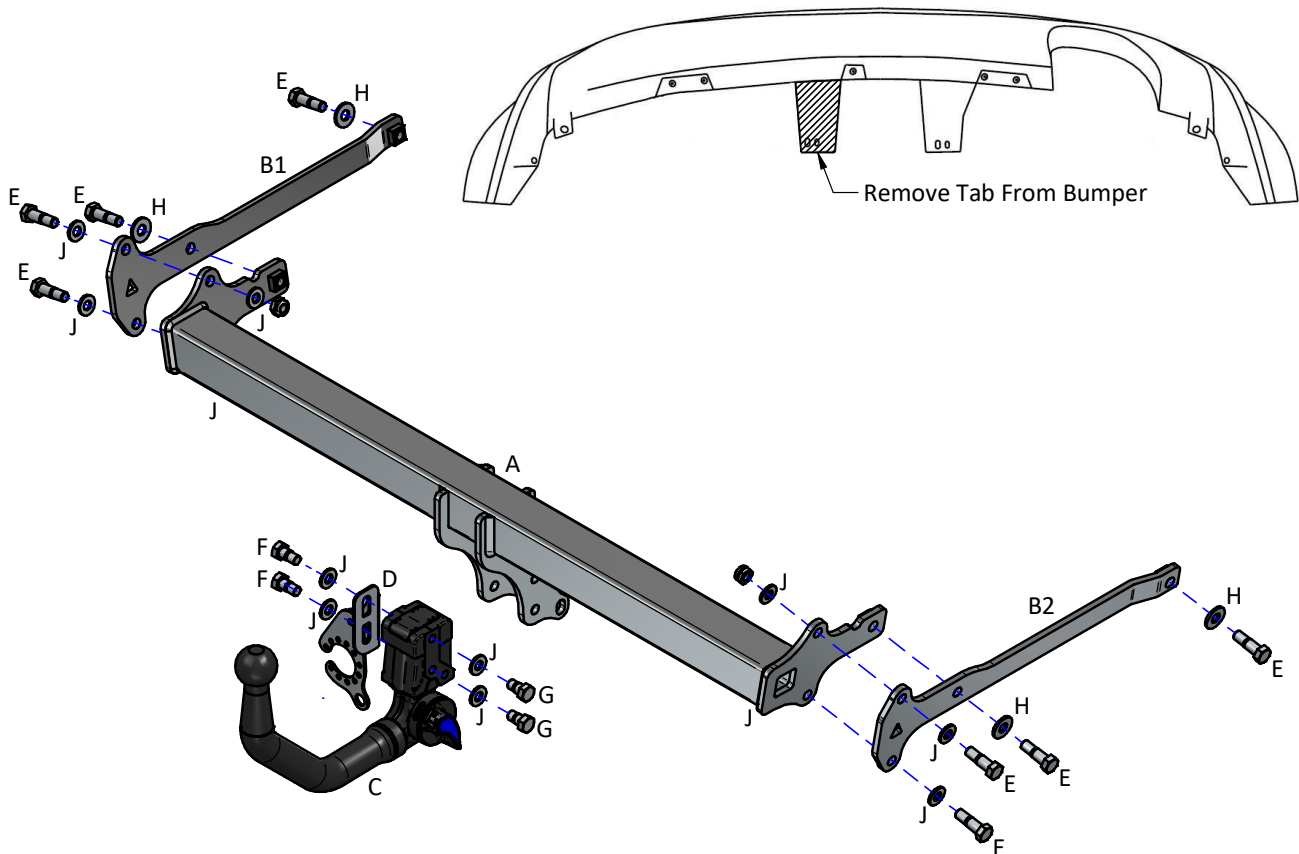
Item	Qty	Description	Item	Qty	Description
A	1	TFD22 Crossmember	D	1	Flip Up Socket Plate (TTFP/LH)
B1	1	L/H Side Arm	E	8	M12 x 40 Bolts, 4 Nyloc Nuts & 4 S/P Washers
B2	1	R/H Side Arm	F	2	M12 x 25 Bolts & S/P Washers
C	1	6232 Detachable Neck	G	2	M12 x 22 Bolts & S/P Washers
			H	4	12 x 30 Flat Washers
			J	12	12 x 25 Flat Washers

BUMPER REMOVAL:

1. Remove the rear light clusters, open tailgate & remove the plastic inner cover from each light cluster to reveal one fixing per cluster. (Pull rearwards so clips don't break).
2. Remove wheel arch trim to reveal one tip fixing, remove two fixings from the wheel arch liner.
3. Remove six fixings from the bumper lower edge. (Some models may have eight fixings).
4. Carefully pull bumper out sideways to release from vehicle body then rearward to remove, unplug fog light and reversing sensors.
5. Remove the rear impact (This is not refitted with the Towbar assembly).
6. Remove plastic brackets covering rearmost mounting points from either side of the vehicle, one screw and four clips per bracket.

TOWBAR INSTALLATION:

1. Insert Item **B1** into the N/S chassis and Item **B2** into the O/S chassis and fix in place at the forward mounting point only using Items **E** and Items **H**.
2. Insert Item **A** between each side arm and into the open ends of the chassis and fix through the rearmost mounting point on the vehicle using Item **E** and Items **H**.
3. Using Item **E** with Item **J** fix the side arms to Item **A**.
4. Fix Item **C** and Item **D** to Item **A** using Items **F** with Items **J** and Items **G** with Items **J**.
5. Fully tighten all fixings ensuring the Towbar is rigid, square and secure.
6. Refit the plastic brackets.
7. Cut the rear bumper as per the sketch below and refit.
8. Refit the rear light clusters.



Notes:

1. For Torque settings see general notes overleaf.
2. Nose load limits and vehicle manufacturer's trailer / caravan weight limits must be observed.