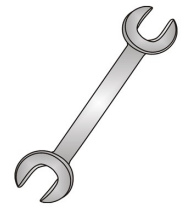




Tow-Trust Towbars

Important: Please read General Notes overleaf before fitting



Issue 1

TFD19 FORD KUGA (DFK) 2020>

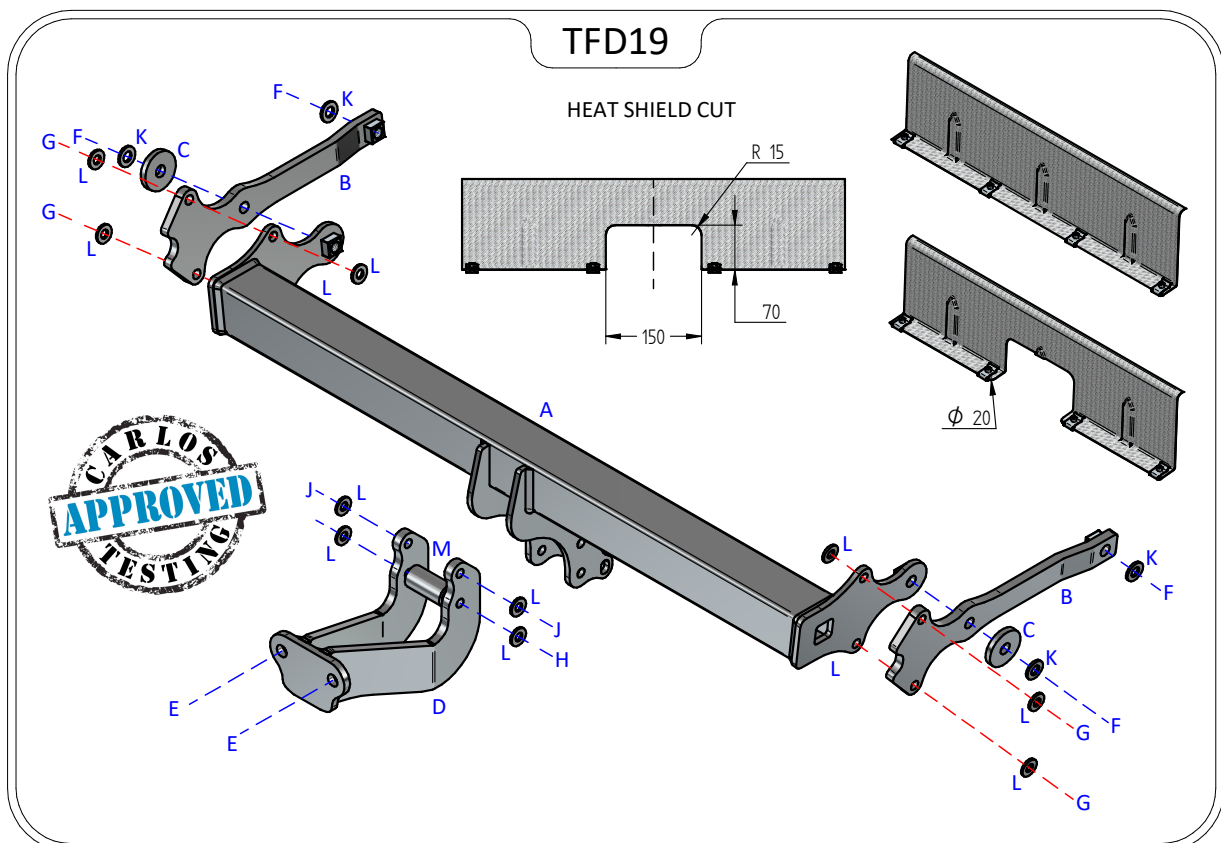
Item	Qty	Description	Item	Qty	Description
A	1	TFD19 Crossmember	E	2	M16 x 50 Bolts & Nyloc Nuts
B	2	Side Arms	F	4	M14 x 50 Bolts & S/P Washers
C	2	8mm Spacer Plates	G	4	M12 x 45 Bolts & Nyloc Nuts
D	1	Extension	H	1	M12 x 130 Bolt & Nyloc Nut
			J	2	M12 x 40 Bolts & Nyloc Nuts
			K	4	14 x 27 Flat Washers
			L	12	12 x 25 Flat Washers
			M	1	30mm O/D x 60mm Long Spacer Tube

BUMPER REMOVAL:

1. Remove five fixings from around each wheel arch liner and peel back liner, remove one fixing retaining wheel arch trim and carefully unclip from vehicle body, remove one fixing retaining bumper tip to body, remove ten fixings from along the bumper lower edge.
2. Starting at the bumper tips carefully unclip the bumper from the vehicle body, using a trim tool release the top edge of the bumper from under each light cluster. Pull bumper rearwards to finally dismount from vehicle.
3. Remove upper bumper support from the vehicle (this will be refitted after the Towbar assembly).
4. Remove the rear impact beam (this will not be refitted after the Towbar assembly and will require handing back to the customer).
5. **AdBlue Models:** Remove the guard from tank (two fixings), Unplug loom from tank, Support tank and remove three fixings and carefully lower just enough to gain access to Towbar mounting points.

TOWBAR INSTALLATION:

1. Cut the exhaust heat shield as shown below. (we advise you ensure the cut is bur free and there are no sharp edges around areas the user may come in contact with e.g. around break away cable points)
2. Insert Items **B** into each chassis member and loosely secure with Items **F** and Item **K** using Item **C** as a spacer inside the chassis at the rearmost mounting point (leave the bolt flush with the inner face of the side arm at the rearmost mounting point so Item **A** can be easily inserted between each face)
3. Insert Item **A** between each side arm and fix through the rearmost chassis mounting point with Item **F** and Item **K**.
4. Fix Items **B** to Item **A** with Items **G** and Items **L**.
5. Fix Item **D** to Item **A** using Item **H** with Item **L** and Items **J** with Items **L** ensuring Item **M** is fitted between the lower mounting point.
6. Using Item **E** fix your desired ball bracket and wiring plate (not supplied in this kit) to Item **D**.
7. Fully tighten all fixings ensuring the Towbar is rigid, square and secure.
8. Refit the AdBlue Tank and guard (if fitted), rear inner bumper support and rear bumper.



Note:

1. Torque Settings see notes overleaf.
2. Nose load limits and vehicle manufacturers trailer / caravan weight limits must be observed.