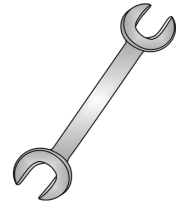




# Tow-Trust Towbars

Important: Please read General Notes overleaf before fitting



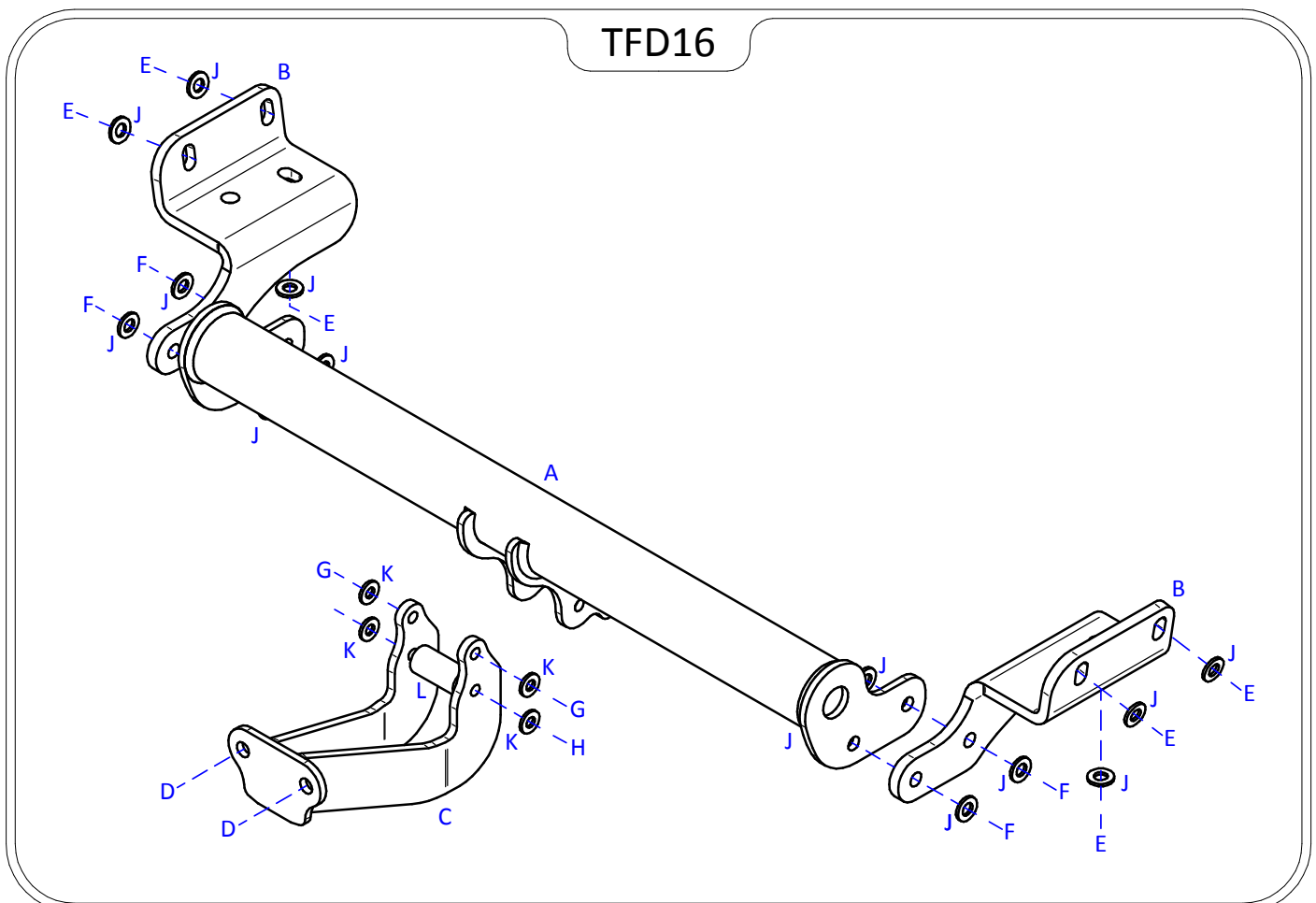
Issue 1

## TFD16 FORD EDGE 2016>

Item	Qty	Description	Item	Qty	Description
A	1	TFD16 Crossmember	D	2	M16 x 50 Bolts & Nyloc Nuts
B	2	Handed Side Arms	E	6	M14 x 40 Bolts & S/P Washers
C	1	Extension	F	4	M14 x 45 Bolts & Nyloc Nuts
			G	2	M12 x 40 Bolts & Nyloc Nuts
			H	1	M12 x 120 Bolt (10.9) & Nyloc Nut
			J	14	14 x 27 Flat Washers
			K	4	12 x 25 Flat Washers
			L	1	30mm O/D x 60mm Long Spacer Tube

### TOWBAR INSTALLATION:

1. Remove the central and side under trays from the rear of the vehicle.
2. Remove four fixings from each chassis member securing the rear impact beam (Two vertical and two on the outside face) (Hand fixings back to the customer).
3. Using Items E with Items J fix items B to each chassis member.
4. Carefully insert Item A into the rear bumper and fix to Items B using Items F with items J.
5. Using Items G with Items K and Item H with Item K fix Item C to Item A ensuring Item L is fitted between the lower mounting point.
6. Using Item D fix your desired ball bracket and wiring plate (Not supplied in this kit) to Item C.
7. Fully tighten all fixings ensuring the Towbar is rigid, square and secure.
8. Trim the central under tray were it meets Items B and refit to the vehicle.
9. Refit the side under trays.



### Note:

1. Recommended Torque Setting for M12 Grade 10.9 -139 Nm. (For other Torque Settings see notes overleaf.)
2. Nose load limits and vehicle manufacturers trailer / caravan weight limits must be observed.