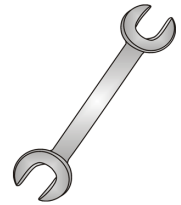




Tow-Trust Towbars

Important: Please read General Notes overleaf before fitting

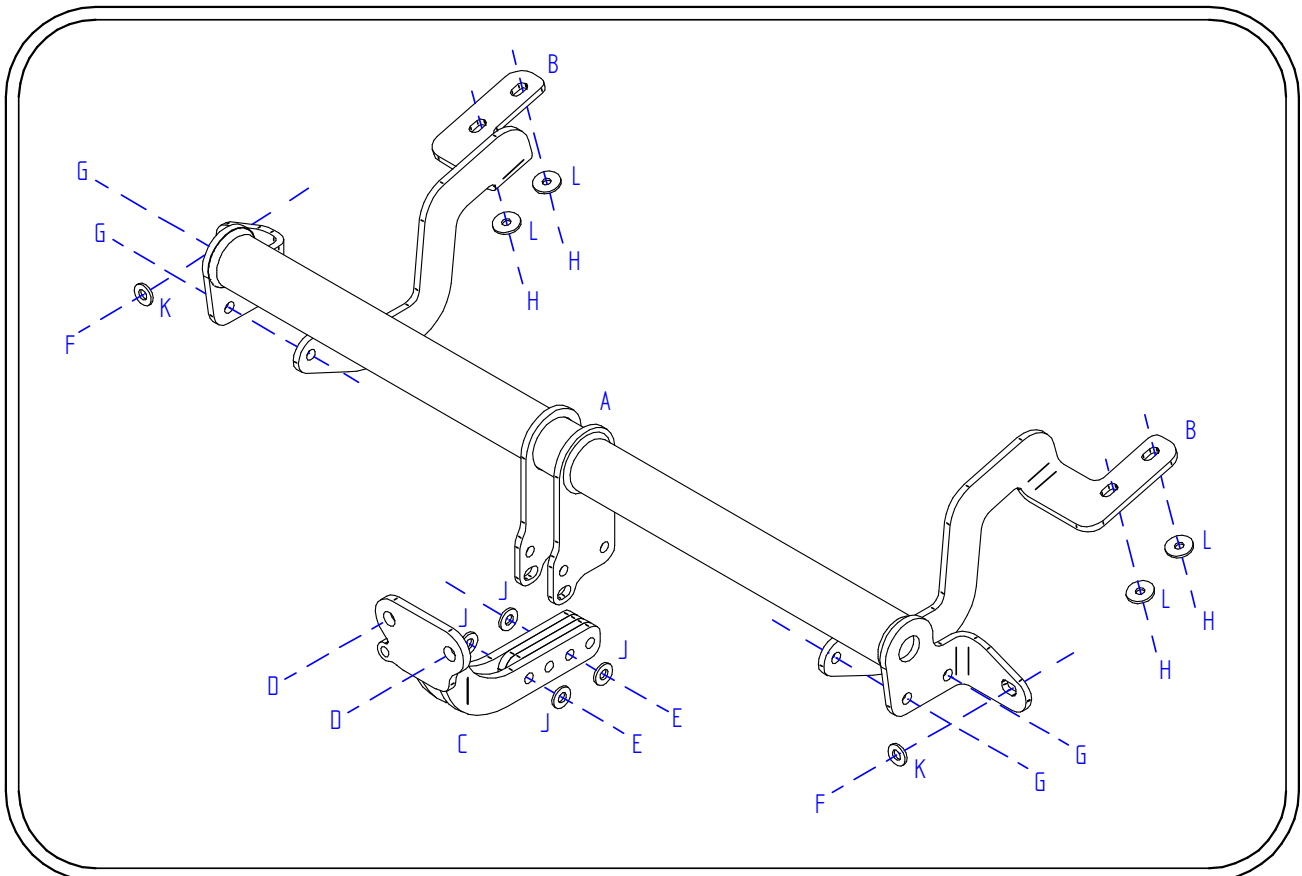


Issue 1

TCN6 CITROEN BERLINGO L2 2018> / VAUXHALL COMBO L2 2018>

Item	Qty	Description	Item	Qty	Description
A	1	Crossmember	D	2	M16 x 50 Bolts, Nuts & S/P Washers
B	2	Handed Side Arms	E	2	M12 x 85 Grade 10.9 Bolts & Nyloc Nuts
C	1	Extension Bar	F	2	M12 x 40 Bolts, S/P Washers
			G	4	M12 x 35 Bolts, Nuts & S/P Washers
			H	4	M10 Nyloc Nuts
			J	4	12 x 25 Flat Washers
			K	2	12 x 30 Flat Washers
			L	4	10 x 25 Flat Washers

1. Remove the lower fixing from each side securing the bumper beam to the back panel.
2. Remove two nuts and brackets from the existing studs on the bottom face of each chassis. (These are not refitted with the Towbar).
3. Using item **F** and item **K** loosely bolt item **A** to the back panel.
4. Using item **H** and item **L** bolt items **B** to the existing studs on the bottom face of each chassis.
5. Using item **G** bolt items **B** to item **A**.
6. Using item **E** and item **J** bolt item **C** to item **A**.
7. Using item **D** bolt the ball bracket and wiring plate (not supplied in this kit) to the face plate of item **C**.
8. Fully tighten all nuts and bolts and ensure Towbar is rigid and secure.



Note:

1. Torque Settings see notes overleaf.
2. Nose load limits and vehicle manufacturers trailer / caravan weight limits must be observed.