



# Tow-Trust Towbars

Important: Please read General Notes overleaf before fitting



Issue 2

## TAR1 ALFA ROMEO GIULIETTA 2010>

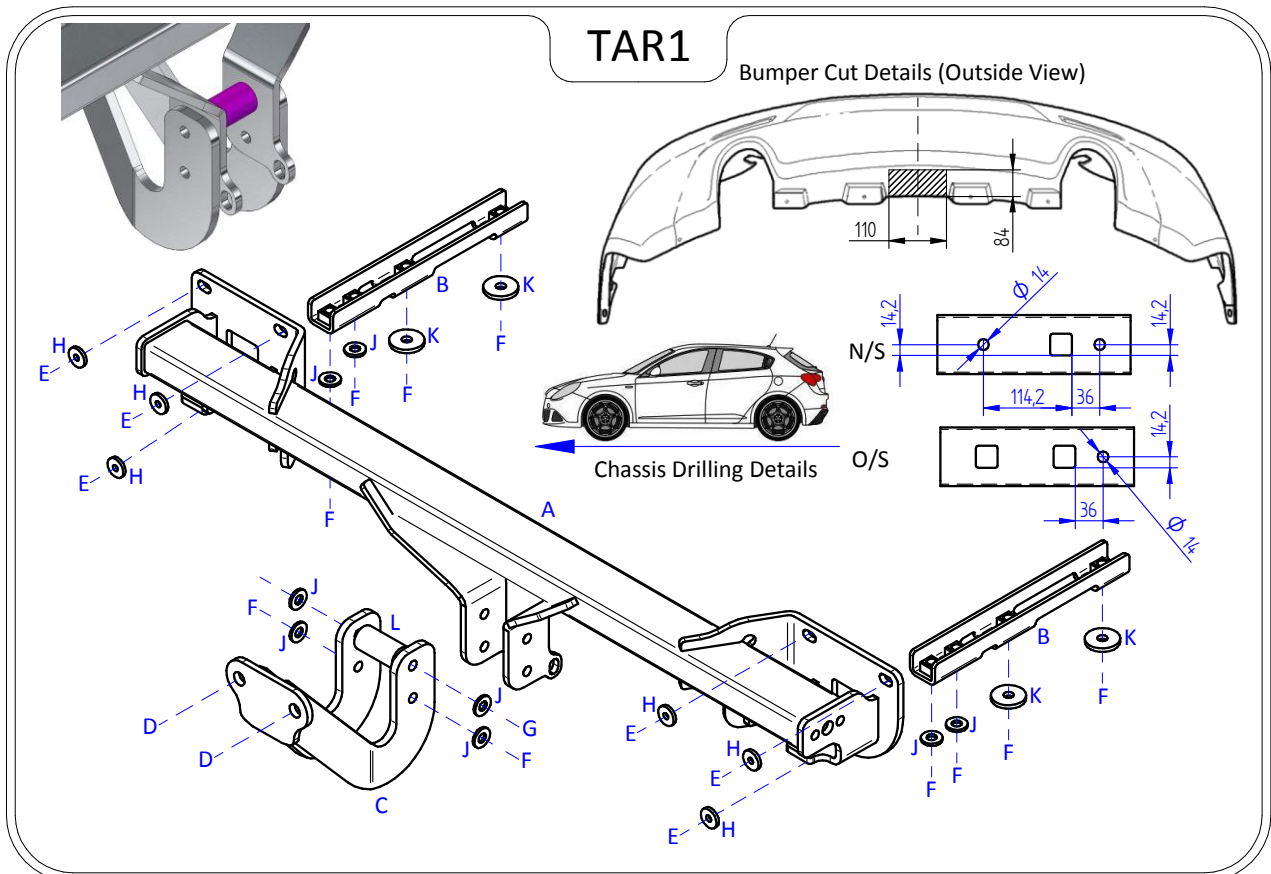
Item	Qty	Description	Item	Qty	Description
A	1	Crossmember	D	2	M16 x 50 Bolts, Nuts & S/P Washers
B	2	Side Arms	E	6	M8 Nyloc Nuts
C	1	Extension	F	10	M12 x 40 Bolts, 2 Nyloc Nuts & 8 S/P Washers
			G	1	M12 x 120 Bolts & Nyloc Nut
			H	6	8 x 25 H/D Flat Washers
			J	8	12 x 25 Flat Washers
			K	4	12 x 40 Flat Washers
			L	1	30mm x 60mm Spacer Tube

### BUMPER REMOVAL:

1. Remove rear light clusters, one fixing on each light.
2. Remove rear bumper, four fixings along the lower edge, one fixing each side on boot opening, three fixings around each wheel arch and one tip fixing each side then pull bumper rearwards to release from vehicle.
3. Remove rear bumper impact beam. (This is not refitted but must be handed back to customer).

### TOWBAR INSTALLATION:

1. Mark out the lower face of each chassis member and drill to 14mm. (Paint the bare steel to prevent corrosion).
2. Insert items B and loosely fix in place using Items F with Items K.
3. Place Item A onto the rear panels M8 fixing points and fix in place using Items E with Items H.
4. Using Items F with Items J fix Items B to Item A.
5. Using Item G with Item J and Items F with Item J fix Item C to Item A ensuring Item L is fitted between the upper mounting point.
6. Using Item D bolt your desired ball bracket and wiring plate (not supplied in this kit) to Item C
7. Fully tighten all fixings ensuring the Towbar is rigid, square and secure.
8. Cut the rear bumper as per the attached sketch and refit along with the rear light clusters.



### Note:

1. Recommended Torque Setting for M12 Grade 10.9 -139 Nm. (For other Torque Settings see notes overleaf.)
2. Nose load limits and vehicle manufacturers trailer / caravan weight limits must be observed.