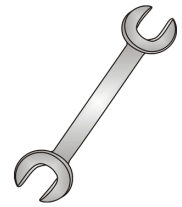




Tow-Trust Towbars

Important: Please read General Notes overleaf before fitting



Issue 5

TAD3VK AUDI A4 (B9) SAL & EST 2015>

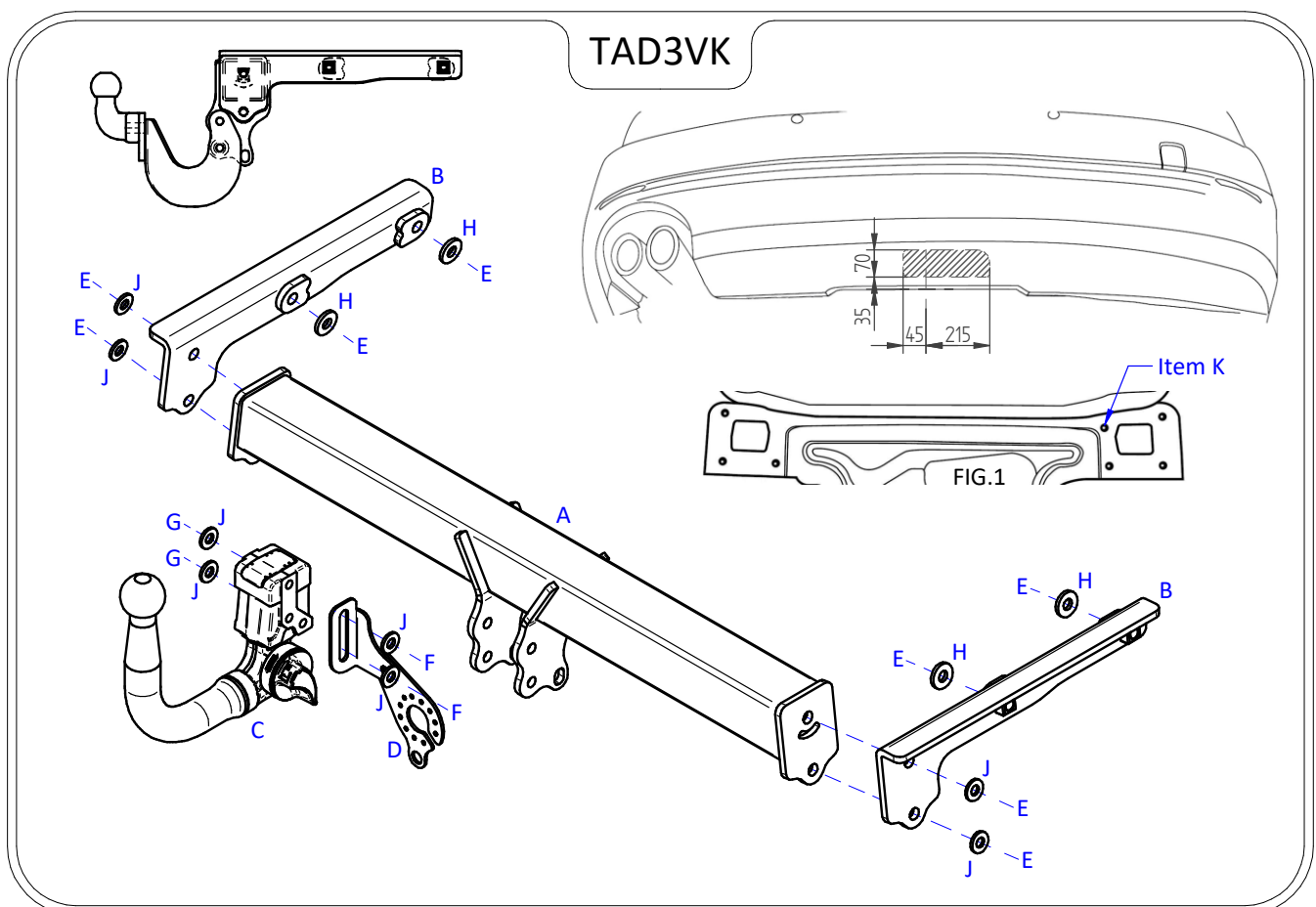
Item	Qty	Description	Item	Qty	Description
A	1	TAD3 Crossmember	D	1	Flip Up Socket Plate (TTFP/RH)
B	2	Handed Side Arms	E	8	M12 x 40 Bolts, 2 Nyloc Nuts & 6 S/P Washers
C	1	6201 Detachable Neck	F	2	M12 x 25 Bolts & S/P Washers
			G	2	M12 x 22 Bolts & S/P Washers
			H	4	12 x 30 Flat Washers
			J	8	12 x 25 Flat Washers
			K	1	M10 x 30 Bolt, Nut & 2 10 x 25 Flat Washers

BUMPER REMOVAL:

1. Remove the rear light clusters.
2. Remove the rear bumper, one retaining pin either side under light cluster, three fixings around each wheel arch, one tip fixing either side, two fixings on the lower edge, four fixings through the rear panel found inside the boot area.
3. Remove the Rear impact beam, this is not refitted with the Towbar assembly. Replace fixings into rear panel to prevent water ingress. Use Item K with existing bolt in O/S upper mounting point. SEE FIG.1

TOWBAR INSTALLATION:

1. Insert Items B into each correct chassis member and loosely fix in place using Item E with Item H.
2. Using Item E with Item J fix Item A between each side arm. Please Note orientation of Item A.
3. Using Item F with Item J and Item G with Item J fix Item C and Item D to Item A.
4. Fully tighten all fixings and ensure the Towbar is rigid, square and secure.
5. Cut the rear bumper as per the sketch below and refit (Take care of the wiring loom running through the bumper when cutting), we advise the Towbar wiring kit is fitted before refitting rear bumper.



Note:

1. Recommended Torque Setting for M12 Grade 10.9 -139 Nm. (For other Torque Settings see notes overleaf.)
2. Nose load limits and vehicle manufacturers trailer / caravan weight limits must be observed.