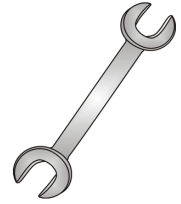




Tow-Trust Towbars

Important: Please read General Notes overleaf before fitting

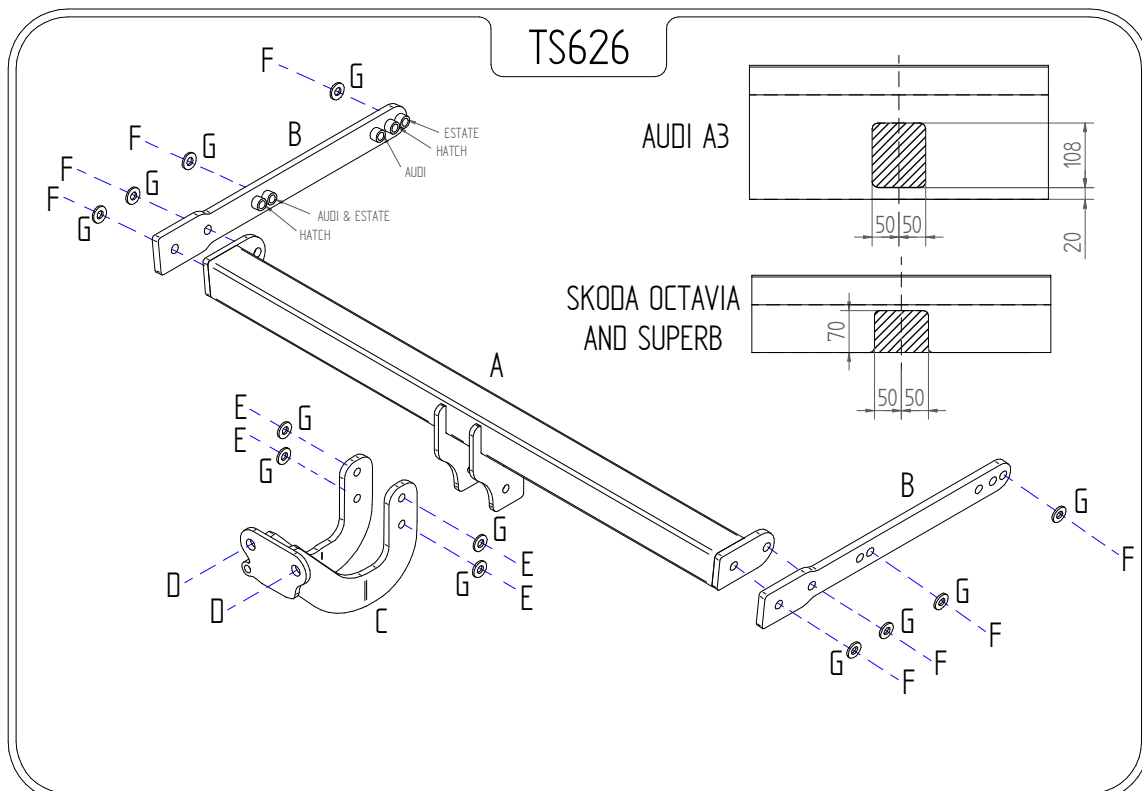


Issue 9

**TS626 SKODA OCTAVIA HATCH & EST 2004>
SKODA SUPERB EST 2008>
AUDI A3 5 DOOR SPORTBACK 2004>**

Item	Qty	Description	Item	Qty	Description
A	1	Crossmember	D	2	M16 x 50 Bolts, Nuts & S/P Washers
B	2	Side Arms	E	4	M12 x 40 Bolts & Nyloc Nuts
C	1	Extension Bar	F	8	M12 x 40 Bolts Grade 10.9, 2 Nuts & 8 S/P Washers
			G	14	12 x 30 Flat Washers

- Remove the rear bumper, four fixings along the lower edge of bumper, six fixings in each wheel arch, one fixing each side in the lower corner, one fixing under each light cluster, and two fixings behind the side trim each side.
- 1A. Remove bumper beam (this is not re-fitted with the towbar). Replace bumper beam bolts to prevent water damage.
- Locate item B into each chassis and using item F with item G loosely bolt to existing mounting points.
- Using item F with item G bolt item A to item B.
- Fully tighten all nuts and bolts and ensure the towbar is rigid and secure.
- Cut a section from the lower edge of the bumper (SEE SKETCH) if required, trim to suit.
- Replace bumper.
- Using item E with item G bolt item C to item A.
- Using item D bolt the ball bracket and wiring plate (not supplied in this kit) to the mounting plate.



Note:

- Recommended Torque Setting for M12 Grade 10.9 -139 Nm. (For other Torque Settings see notes overleaf.)
- Nose load limits and vehicle manufacturer's trailer / caravan weight limits must be observed.