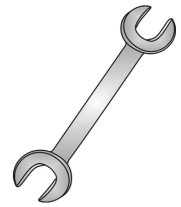




# Tow-Trust Towbars

Important: Please read General Notes overleaf before fitting



Issue 5

**TBMW7 BMW 1 SERIES (F20 / F21) 2011> 2 SERIES (F22 / F23) 2014>  
2 SERIES ACTIVE / GRAN TOURER (F45 / F46) 2014> 3 SERIES (F30 / F31) 2012>  
4 SERIES (F32 / F33 / F36) 2014> X1 (F48) 2016>**

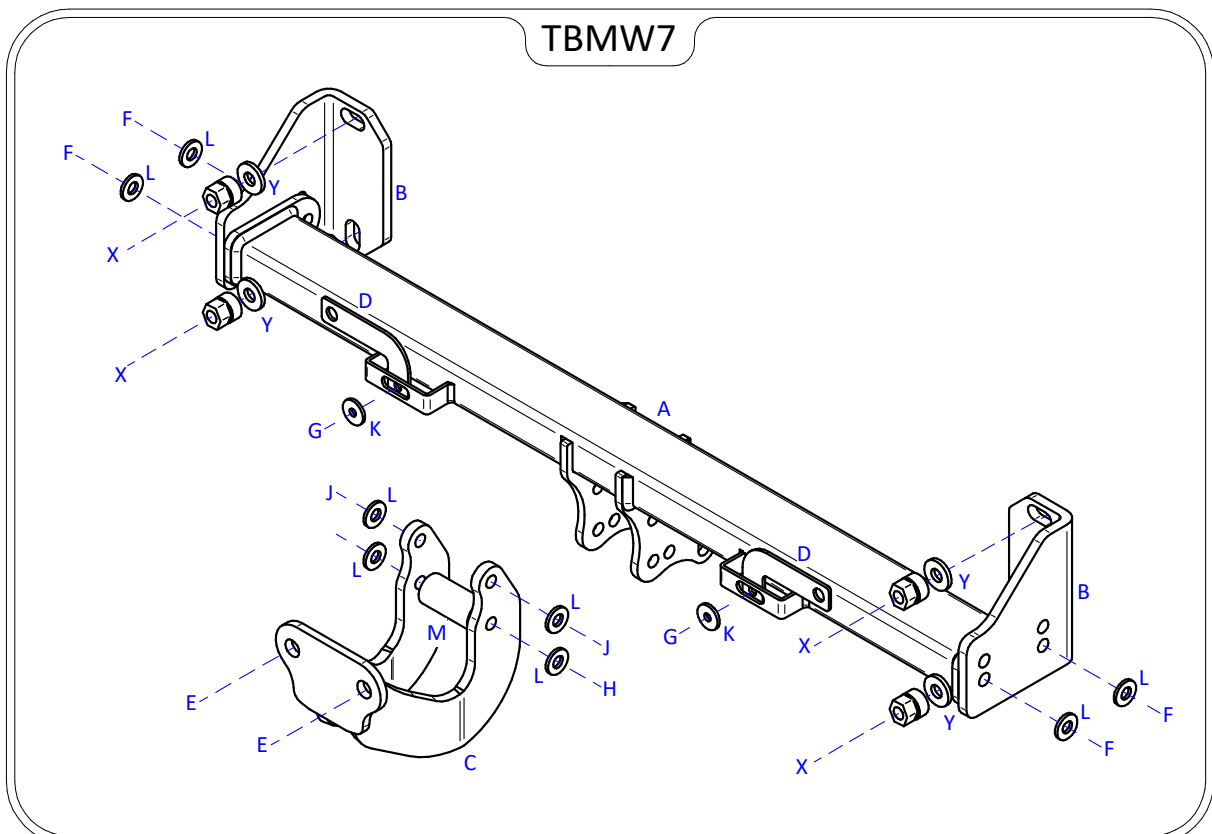
Item	Qty	Description	Item	Qty	Description
A	1	TBMW7 Crossmember	E	2	M16 x 50 Bolts & Nyloc Nuts
B	2	Handed Side Arms	F	4	M12 x 40 Bolts, 2 Nyloc Nuts & 2 S/P Washers
C	1	Extension	G	2	M8 x 25 Bolts & Nyloc Nuts (1 Series Only)
D	2	Heat Shield Brackets (1 Series Only)	H	1	M12 x 120 Bolt (10.9) & Nyloc Nut
			J	2	M12 x 40 Bolts & Nyloc Nuts
			K	2	8 x 25 Flat Washers
			L	8	12 x 25 Flat Washers
			M	1	30mm O/D x 60mm Long Spacer Tube
			N	8	Large Plastic Rivets (X1 Only)
			X	4	Original BMW Fixings (115 Nm)
			Y	4	12 x 30 Flat Washers

#### BUMPER REMOVAL:

1. Remove the rear light clusters, remove fixings from each wheel arch and along the lower edge of the bumper.
2. Remove the rear impact beam, this is Not refitted with the Towbar assembly. Retain the gaskets for fitting Item A to the rear panel.

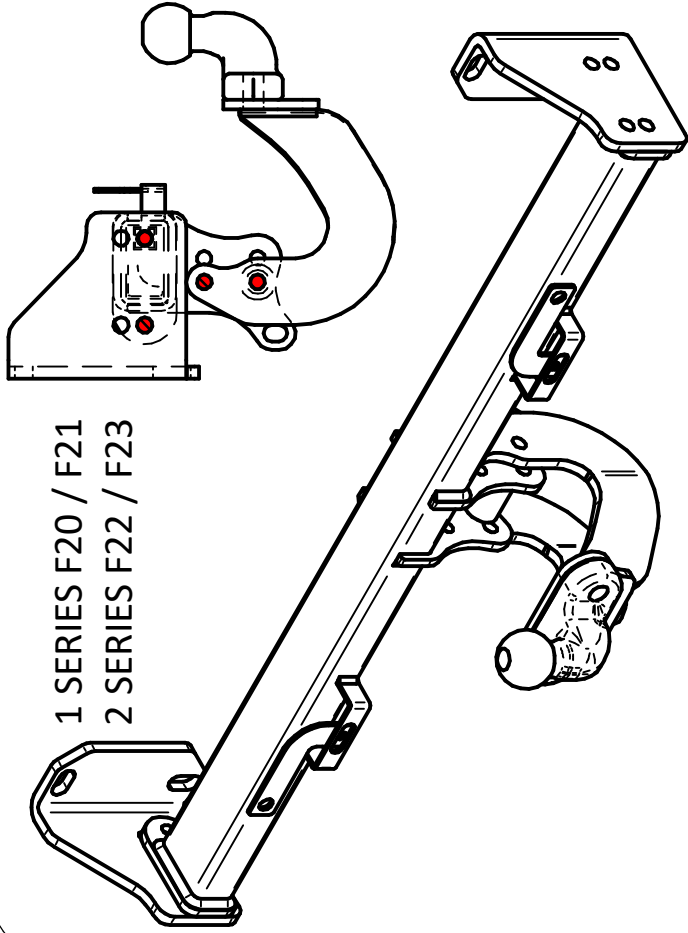
#### TOWBAR INSTALLATION:

1. Fix Items B onto the rear panel using the Item X with Item Y and the original gaskets. (We advise additional sealant is applied).
2. Using Item F with Item L fix Item A between each side arm.
3. Using Item J with Item L and Item H with Item L fix Item C to Item A ensuring Item M is fitted between the lower mounting point.
4. Using Item E fix your desired ball bracket and wiring plate (Not supplied in this kit) to Item C.
5. Fully tighten all fixings ensuring the Towbar is rigid, square and secure.
6. 3/4 Series: clip the inner bumper support to the tabs welded to Item A.
7. 1/2 series H/B: Using Item G with Item K fix Item D to the tabs welded to Item A. Refit the heat shield to Item D.
8. Vehicles Fitted With Rear Under Trays: Cut the rear under tray to suit the Towbar central design. (Alternatively hand back to the customer so it can be refitted if the Towbar is removed at a later date).
9. Refit the rear bumper and light clusters.

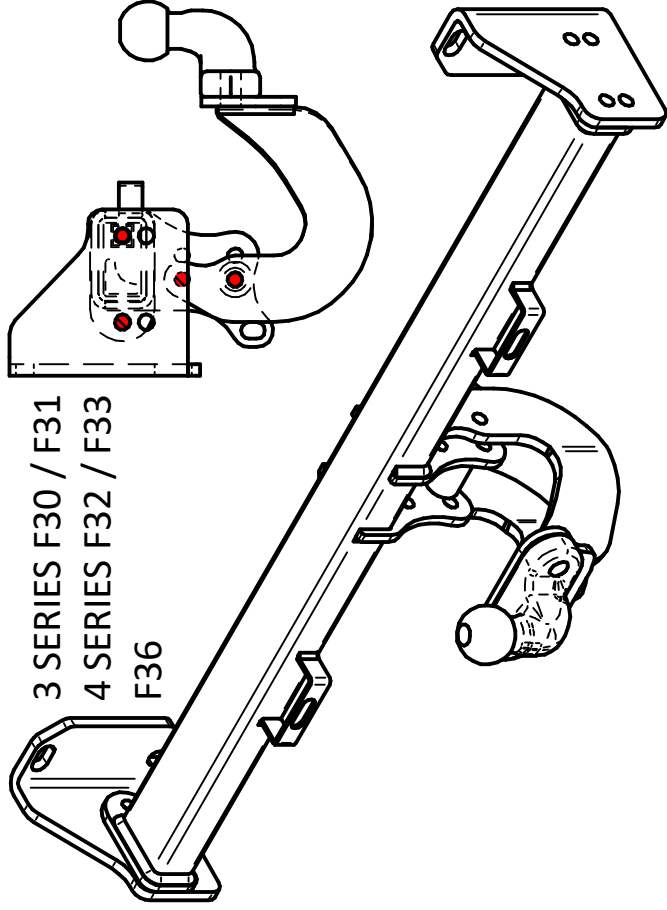


#### Note:

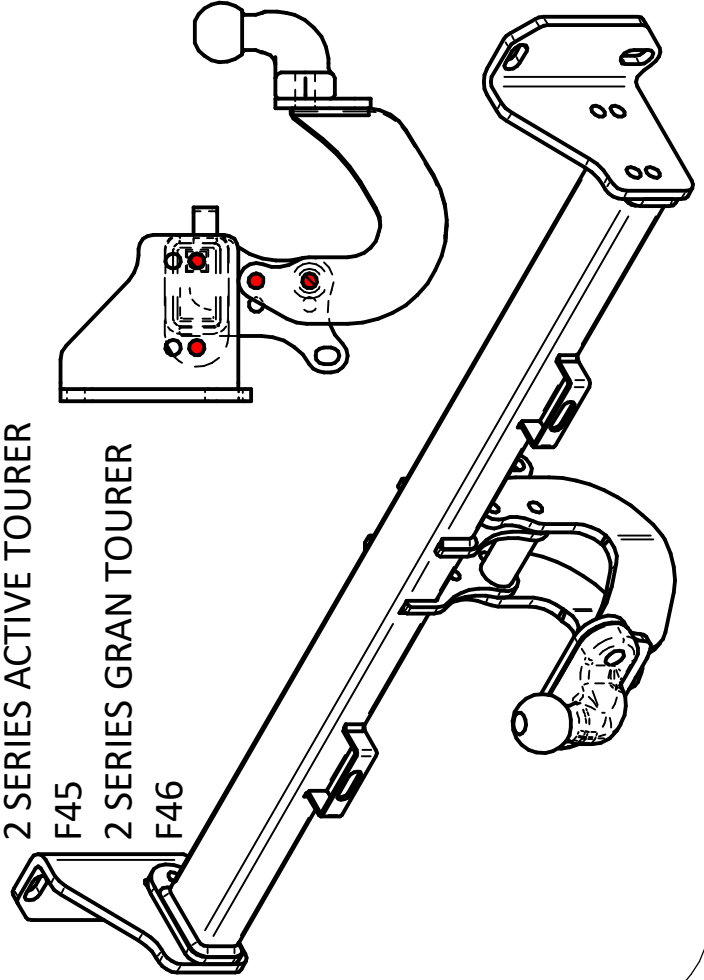
1. Recommended Torque Setting for M12 Grade 10.9 -139 Nm. (For other Torque Settings see notes overleaf.)
2. Nose load limits and vehicle manufacturers trailer / caravan weight limits must be observed.



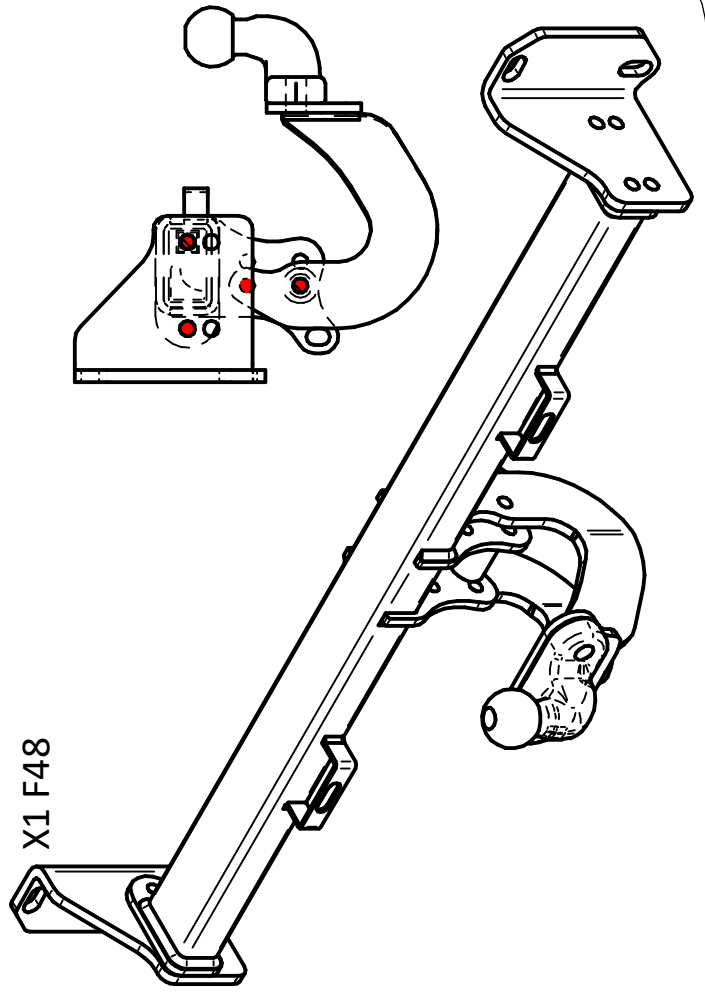
1 SERIES F20 / F21  
2 SERIES F22 / F23



3 SERIES F30 / F31  
4 SERIES F32 / F33  
F36



2 SERIES ACTIVE TOURER  
F45  
2 SERIES GRAN TOURER  
F46



X1 F48