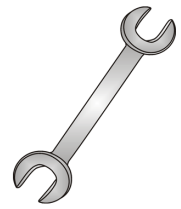




Tow-Trust Towbars

Important: Please read General Notes overleaf before fitting

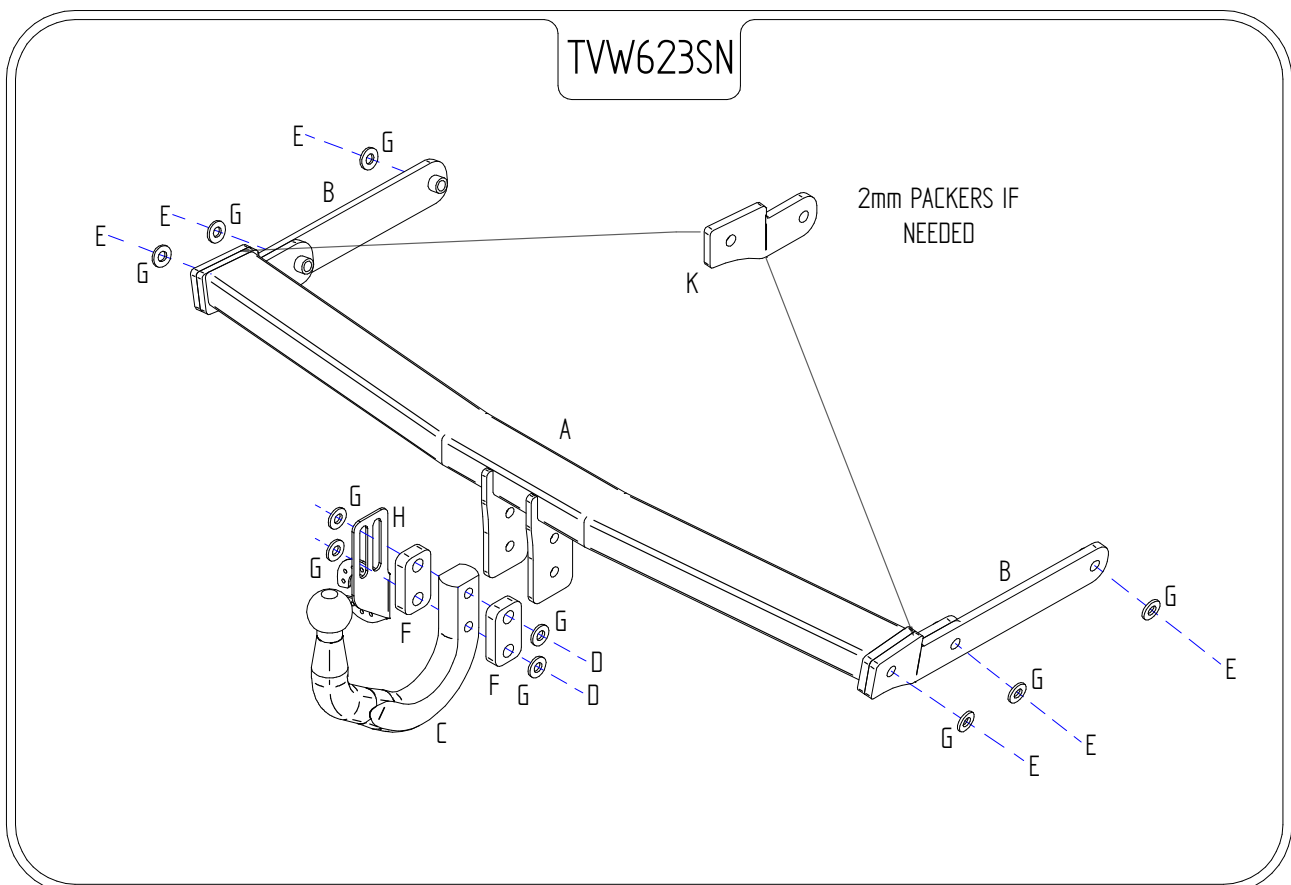


Issue 3

**TVW 623SN Volkswagen Golf 5 Hatch 2004> Golf 6 Hatch 2009>
Volkswagen Golf Plus 2005> Golf 7 Hatch 2012> Audi A3 2012> Golf SV 2014>
Seat Leon 2013>**

Item	Qty	Description	Item	Qty	Description
A	1	Crossmember	D	2	M12 x 110 Grade 10.9 Bolts & Nyloc Nuts
B	2	Side Arms	E	6	M12 x 50 Bolts & S/P Washers
C	1	ACS1 / 9201 Swan Neck	F	2	15mm Spacer Plates
			G	10	12 x 25 Flat Washers
			H	1	VASP8 L/H Socket Plate
			K	4	Handed 2mm End Plate Lasers

1. Remove the rear light clusters.
2. Remove rear bumper. Fixings along the lower edge, under each light cluster and around each wheel arch.
3. Remove the bumper crossbeam (this is not refitted). Replace existing bolts.
4. Locate Item **B** inside each chassis and using Item **E** with Item **G** loosely bolt to forward existing holes (these are covered with tape).
5. Using Item **E** with Item **G** loosely bolt Item **A** to Item **B** and through existing rearmost holes. Fully tighten all bolts.
6. Using Item **D** with Item **G** and Item **F** bolt Item **C** and Item **H** to Item **A** and fully tighten.
7. **Golf 5:** Cut out a section 85mm wide x 125mm deep centrally from the lower edge of the bumper.
8. **Golf 6:** Cut out a section 85mm wide x 80mm deep centrally from the lower edge of the bumper.
9. **Golf 7 / Audi A3:** Cut out a section 85mm wide x 120mm deep centrally from the lower edge of the bumper.
10. **Golf 7.5:** No cut required
11. **Leon:** Cut out a section 85mm wide x 95mm deep centrally from the lower edge of the bumper.
12. Refit bumper and light clusters.



Notes:

1. Recommended Torque Setting for M12 Grade 10.9 -139 Nm. (For other Torque Settings see notes overleaf.)
2. Nose load limits and vehicle manufacturer's trailer / caravan weight limits must be observed.