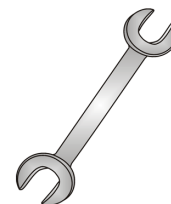




Tow-Trust Towbars

Important: Please read General Notes overleaf before fitting



Issue 12

TSDA2 AUDI A3 SPORTBACK 2016> / AUDI Q2 2016> / AUDI A3 CABRIO 2017 / AUDI A3 SALOON 2016> / SEAT LEON 2017> / SEAT LEON ST 2020> / SKODA OCTAVIA 2013> / SKODA SUPERB 2015> / VOLKSWAGEN ARTEON 2017> / VOLKSWAGEN GOLF EST 2013> / VOLKSWAGEN GOLF ALLTRACK 2015> / VOLKSWAGEN PASSAT 2015> / VOLKSWAGEN GOLF 8 2020>

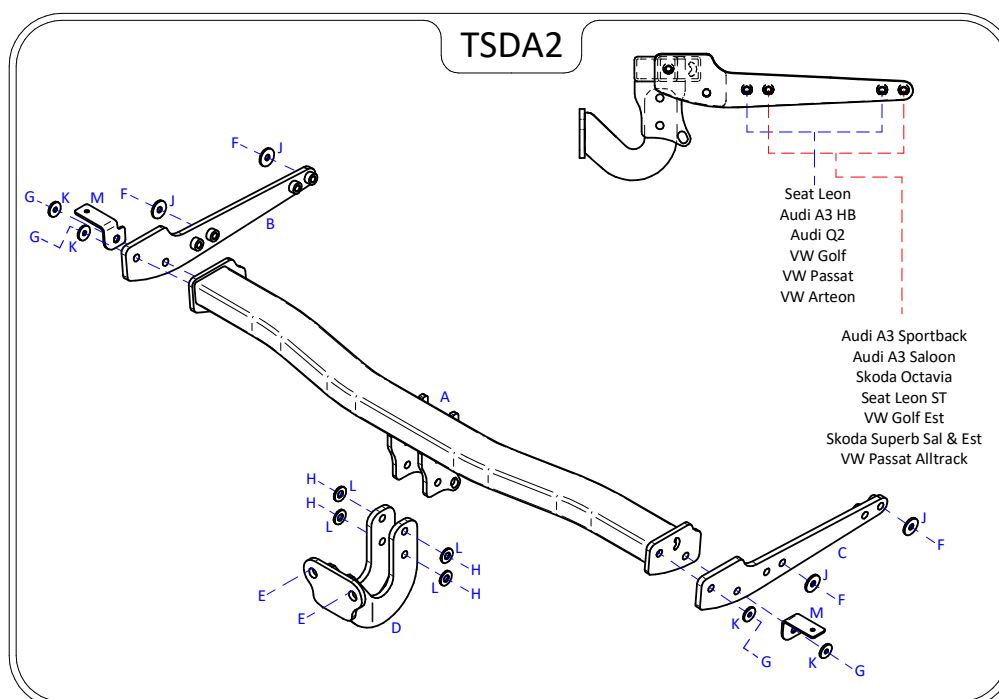
Item	Qty	Description	Item	Qty	Description
A	1	Crossmember	E	2	M16 x 50 Bolts, Nuts & S/P Washers
B	1	N/S Side Arm	F	4	M10 x 35 Grade 10.9 Bolts & 4 S/P Washers
C	1	O/S Side Arm	G	4	M10 x 40 Grade 10.9 Bolts, 2 Nuts & 4 S/P Washers
D	1	Extension	H	4	M12 x 40 Bolts & Nyloc Nuts
			J	4	10 x 30 Flat Washers
			K	4	10 x 25 Flat Washers
			L	4	12 x 25 Flat Washers
			M	2	Handed Sensor Brackets
			N	2	M6 x 25 Bolts & Nyloc Nuts

BUMPER REMOVAL:

1. Remove the rear light clusters, SKODA: Two fixings found behind black plastic covers, AUDI/SKODA/SEAT/VW: One fixing inside boot.
2. AUDI/SKODA/SEAT/VW: Remove four fixings from each wheel arch. SEAT ONLY: Two fixings under light cluster each side, AUDI ONLY: One fixing under light cluster each side.
3. AUDI/SKODA/SEAT/VW: Remove four fixings along the lower edge, remove the plastic shut panel from inside the boot and remove four fixings through the rear panel. Carefully pull bumper tips from the vehicle then pull bumper rearwards.
4. VW PASSAT: Push plastic latches under light area to release the bumper.
5. Remove the rear impact beam and refit bolts into rear panel. (Beam is NOT refitted with the Towbar assembly).

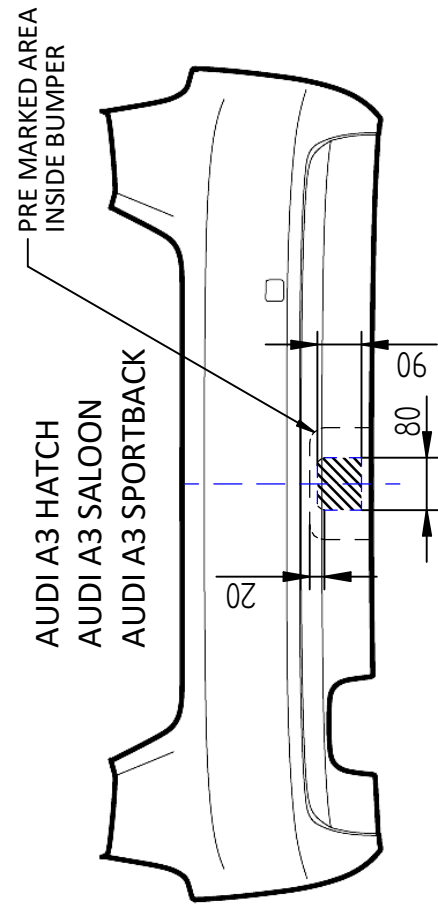
TOWBAR INSTALLATION:

1. Locate the Towbar mounting points on the outside face of each chassis member, these are usually covered with tape.
2. Insert Item B and Item C into each correct chassis member and fix in place using Items F and Items J.
3. Using Items G with Items K fix Item A between each side arm. (Items B & C) **Note:** Use Item M & N to remount sensors if fitted.
4. At this stage fully tighten all nuts and bolts to the correct torque setting.
5. Most vehicles come with a pre-cut bumper but if not cut the bumper as illustrated and refit to the vehicle.
6. Using Items H with items L fix Item D to Item A and fully tighten to the correct torque setting.
7. Fix bumper lower edge.
8. Using Item E fix your desired ball bracket and wiring plate (Not supplied in this kit) to Item D and fully tighten to the correct torque setting.

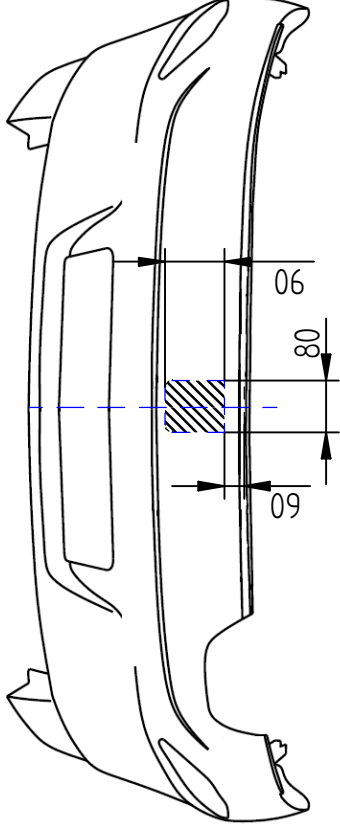


- Note:**
1. Recommended Torque Setting for M12 Grade 10.9 -130 Nm. (For other Torque Settings see notes overleaf.)
 2. Nose load limits and vehicle manufacturers trailer / caravan weight limits must be observed.

TSDA2



SEAT LEON SC
SEAT LEON ST



SKODA OCTAVIA
VW GOLF EST.
VW PASSAT
VW ARTEON
SKODA SUPERB
T-ROC
AUDI Q2

